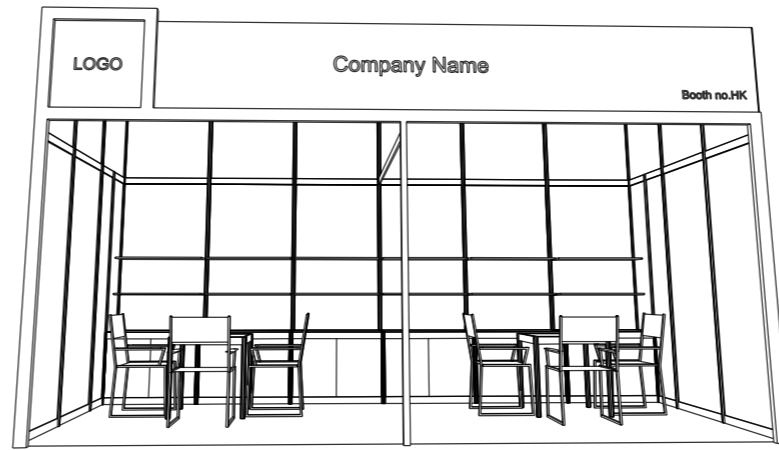
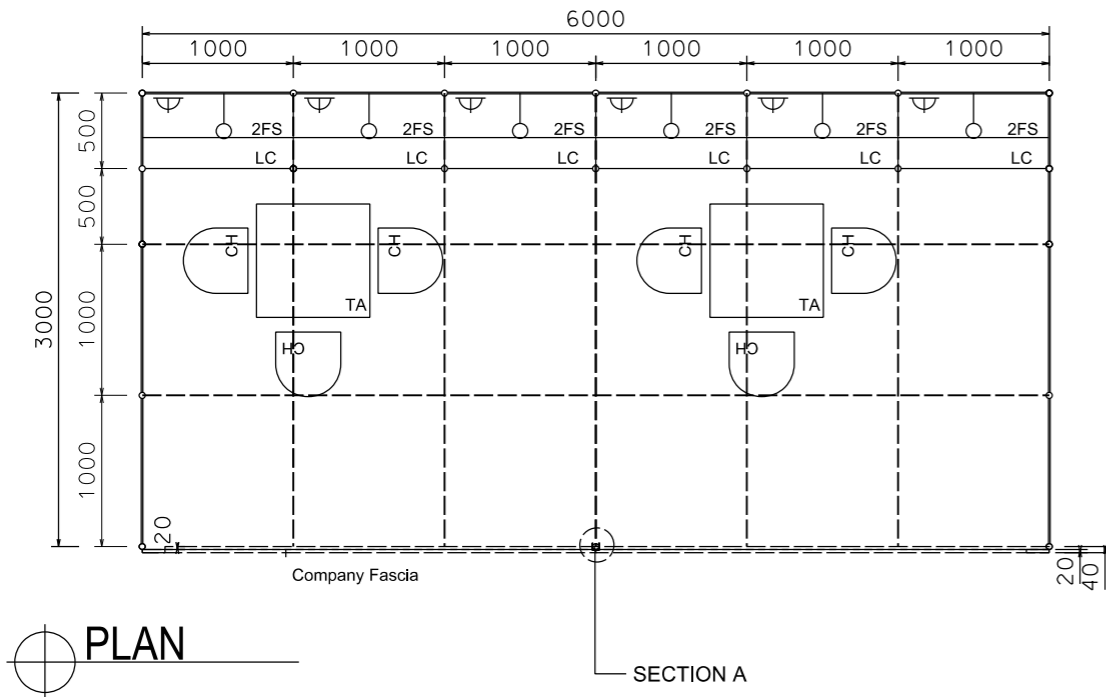


Premium Booth 6mW x 3mD One side open

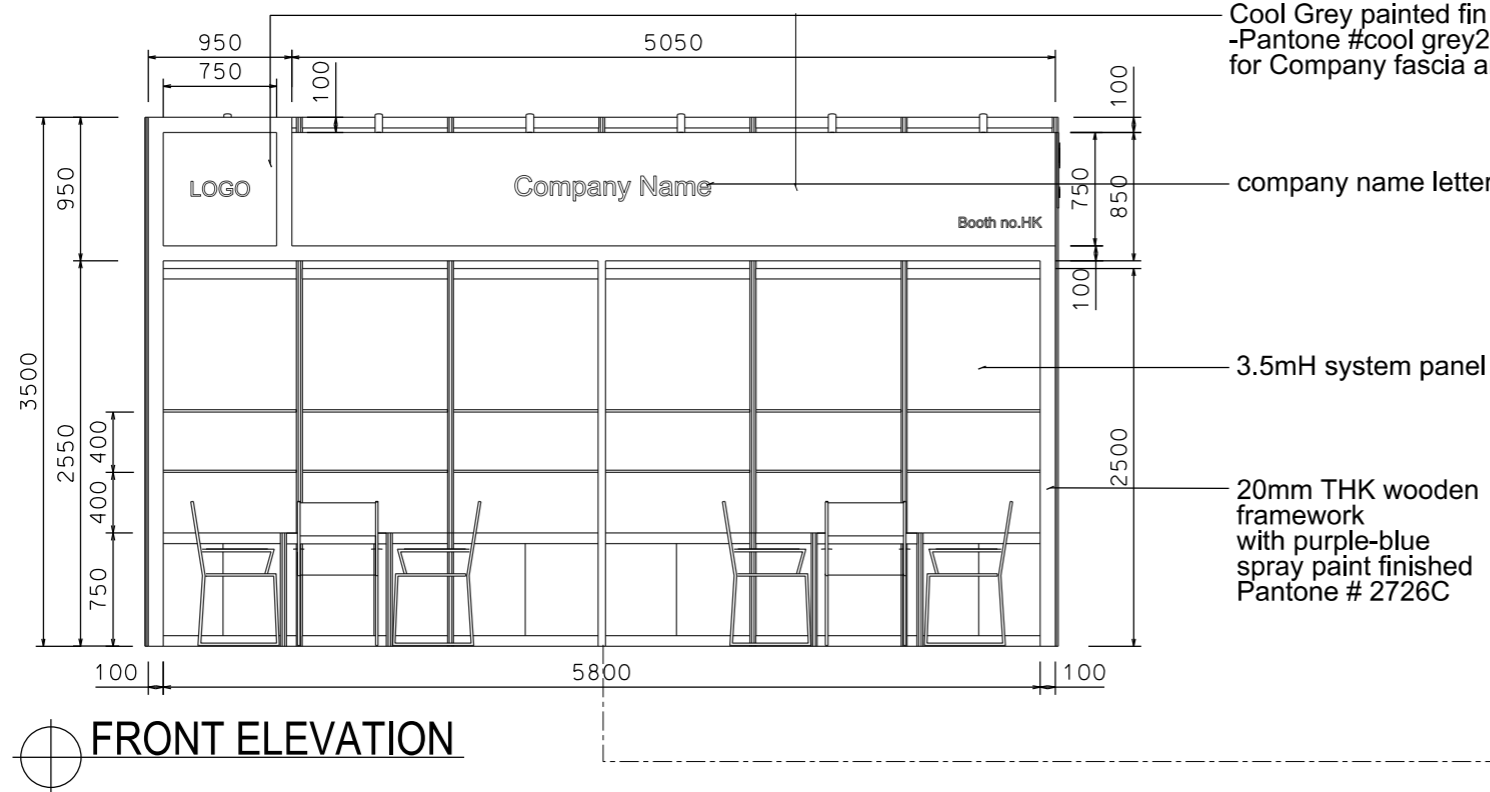
LT-A-18
6mW x 3mD x 3.5mH



PERSPECTIVE N.T.S



COLOUR PERSPECTIVE N.T.S

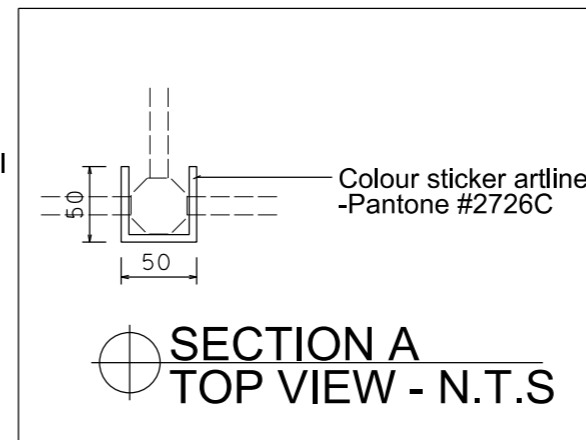


Cool Grey painted fin plywd panel
-Pantone #cool grey2C
for Company fascia and Logo

company name letters in black

3.5mH system panel

20mm THK wooden
framework
with purple-blue
spray paint finished
Pantone # 2726C



BOOTH SPECIFICATION		QTY
	Lockable cabinet (1mL x 0.5mD x 0.75mH)	6
	Wooden shelf (flat) (1mL x 0.3mD)	12
	Square meeting table (0.7m X0.7m x 0.75mH)	2
	Black leather chair	6
	Longarmed spotlight w/23 watt energy saving lamp (yellow) set at 3.5mH	6
	800w Square pin power socket	6
	Ceiling grid (175mmH) set at 3.4mH	27m

FILE PATH - L:\Local Fair Premium Booth 2011\LT-A layout\LT-A-2dLayout_2012.dgn



NOTES UNLESS OTHERWISE SPECIFIED ALL DIMENSIONS ARE IN MM.

.....
.....
.....

REVISION
19/10/09
23/02/2010
25/02/2010
13/12/2011

DATE: 12-01-2009
SCALE: 1 : 50 (A3)
DRAWN BY: ..
CHECKED BY:

TITLE
Premium
Booth
LT-A-18

PROJECT
PREMIUM BOOTH
6m x 3m
DATE: XXXXXXXX

SHEET
LT-A02