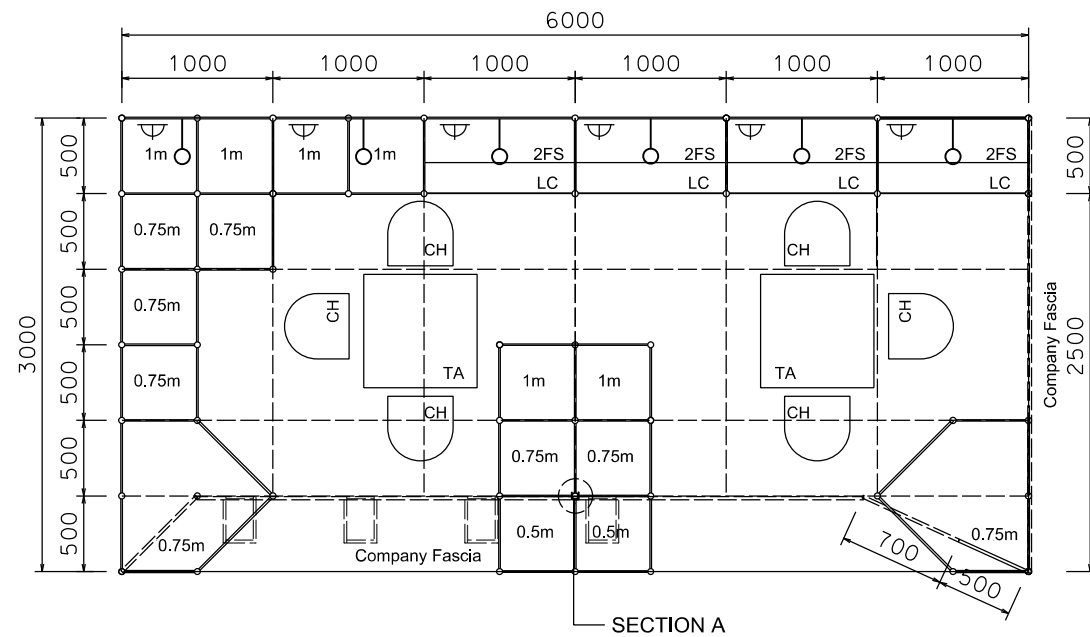
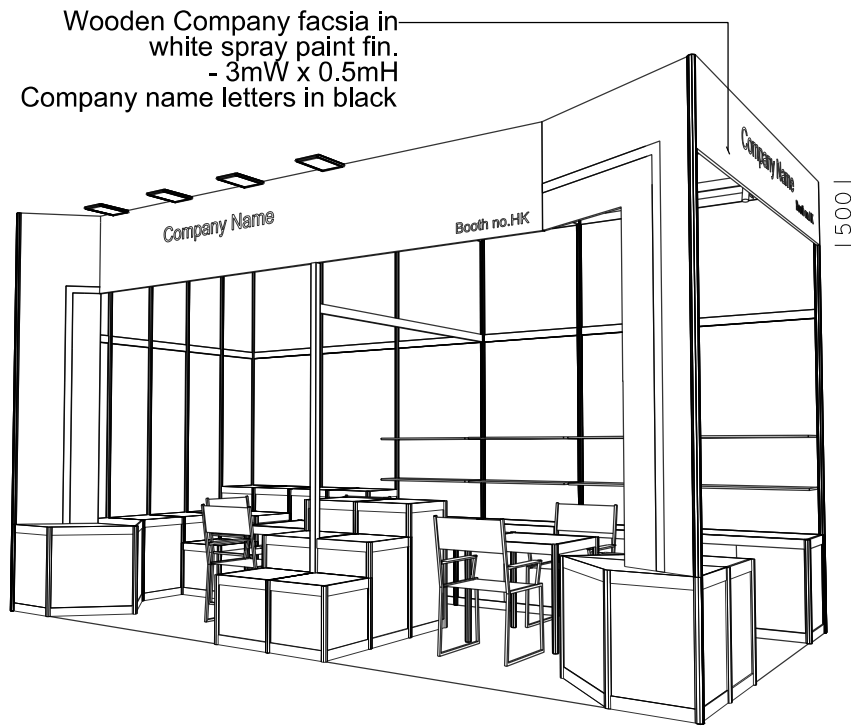


Premium Booth 6mW x 3mD Right Corner Booth

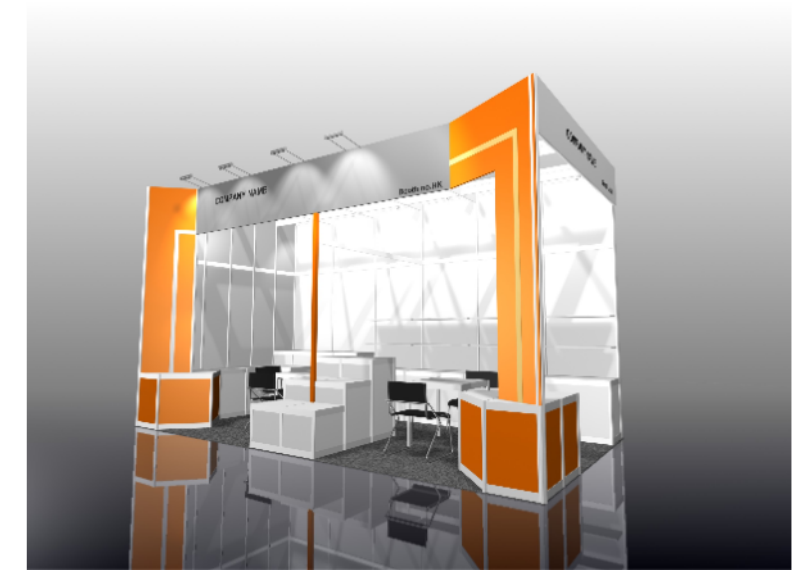
LT-C-18-R_Cnr
6mW x 3mD x 3.5mH



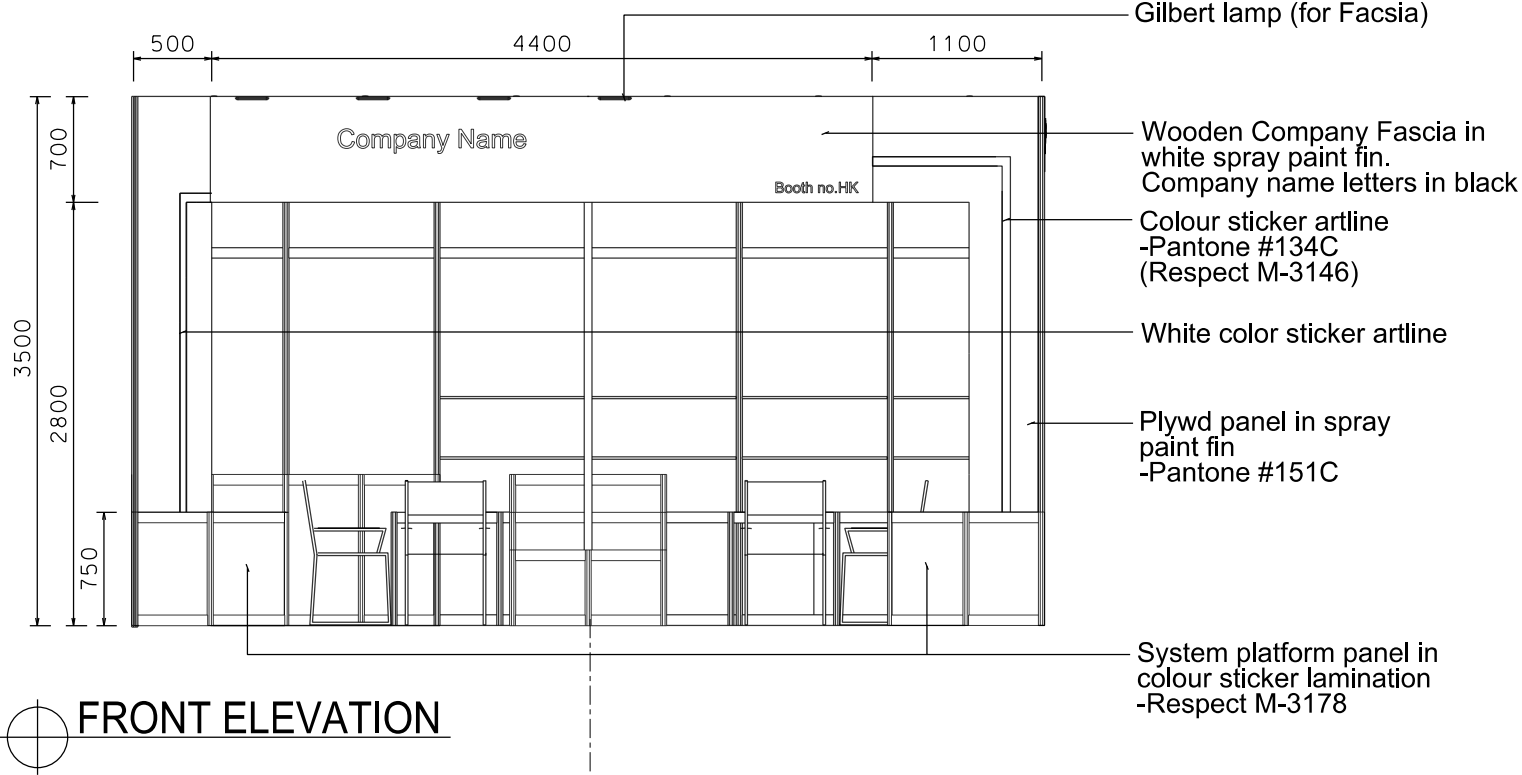
PLAN



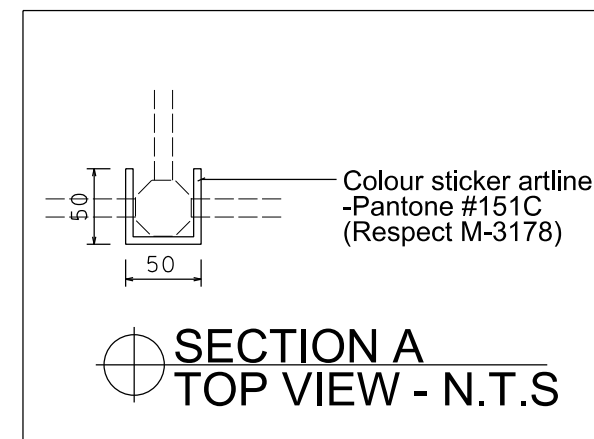
PERSPECTIVE N.T.S



COLOUR PERSPECTIVE N.T.S



FRONT ELEVATION



SECTION A
TOP VIEW - N.T.S

| BOOTH SPECIFICATION | | QTY |
|---------------------|--|-------|
| | Lockable cabinet (1mL x 0.5mD x 0.75mH) | 4 |
| | Wooden shelf (flat) (1mL x 0.3mD) | 8 |
| | 1mH podium (0.5m x 0.5m x 1mH) | 6 |
| | 0.75mH podium (0.5m x 0.5m x 0.75mH) | 6 |
| | 0.5mH podium (0.5m x 0.5m x 0.5mH) | 2 |
| | 0.75mH podium in colour sticker lamination (Respect M-3178) | 2 |
| | Square meeting table (0.7m X 0.7m x 0.75mH) | 2 |
| | Black leather chair | 6 |
| | Longarmed spotlight w/23 watt energy saving lamp (yellow) set at 3.5mH | 6 |
| | 800w Square pin power socket | 6 |
| | 150W Gilbert lamp (for fascia) | 4 |
| | Ceiling grid (175mmH) set at 3.5mH | 30.5m |

FILE PATH - L:\Local Fair Premium Booth 2011\LT-C layout\LT-C-2dLayout_update.dgn



NOTES UNLESS OTHERWISE SPEBIFIED ALL DIMENSIONS ARE IN MM.

.....
.....
.....

.....
.....
.....

REVISION
20-10-2009
14-04-2011
29-05-2015

DATE: 12-01-2009
SBALE: 1 : 50 (A3)
DRAWN BY: ..
BHEBKED BY:

TITLE
Premium Booth
LT-C-18
R-Corner

PROJEBT
PREMIUM BOOTH
6m x 3m
DATE: XXXXXXXX

SHEET
LT-CO2a