

hktdc.com Small Orders Promotion Package during April 2017 to March 2018

Important Events and Dates

201704-201708_SOZ_EN

Important Events	Important Dates										
	Lighting Fair (Spring Edition)	Electronics Fair (Spring Edition)	Houseware Fair	Gifts & Premium Fair	Fashion Week for Spring/Summer	Watch & Clock Fair	Electronics Fair (Autumn Edition)	Lighting Fair (Autumn Edition)	Toys & Games Fair	Fashion Week for Fall/Winter	Jewellery Show
1) Fairground hktdc.com Small Orders product display zone											
1.1 Advertisers to submit hktdc.com Small Orders Promotion Package information submission form	22 Feb 2017	22 Feb 2017	22 Feb 2017	22 Feb 2017	31 May 2017	28 Jul 2017	30 Aug 2017	30 Aug 2017	29 Nov 2017	29 Nov 2017	17 Jan 2018
1.2 HKTDC to allocate showcase location by drawing lots and announce the results	Late-Mar 2017	Early-Apr 2017	Mid-Apr 2017	Mid-Apr 2017	Late-Jun 2017	Late-Aug 2017	Early-Oct 2017	Mid-Oct 2017	Late-Dec 2017	Early-Jan 2018	Late-Feb 2018
1.3 Advertisers to enable online transaction by uploading product specifications, photos, prices, delivery costs through hktdc.com DIY system and input details of PayPal business account	7 working days prior to the commencement of respective fair										
1.4 Advertisers to bring along all products for lay out at the fairground hktdc.com Small Orders product display zone (exact time to be announced together with showcase location)	5 Apr 2017	12 Apr 2017	19 Apr 2017	26 Apr 2017	9 Jul 2017	4 Sept 2017	12 Oct 2017	26 Oct 2017	7 Jan 2018	14 Jan 2018	To be confirmed *
1.5 Advertisers to reclaim products at fairground (within one hour after the fair closes)	9 Apr 2017	16 Apr 2017	23 Apr 2017	30 Apr 2017	13 Jul 2017	9 Sept 2017	16 Oct 2017	30 Oct 2017	11 Jan 2018	18 Jan 2018	To be confirmed

* Advertisers to collect exhibitor's badge, showcase key at the fairground, and place products in the strong or storage room (prior application on the service is required) provided by the HKTDC for laying out products on the next day before the fair opens.



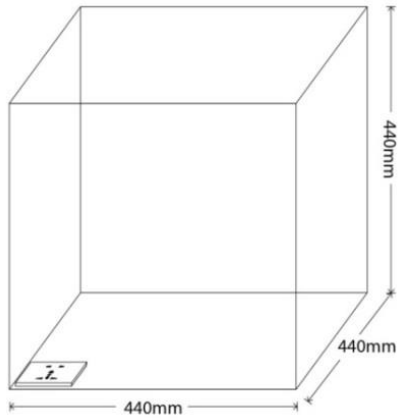
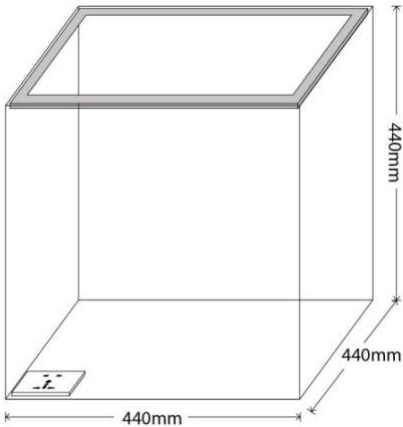
hktdc.com Small Orders Product Display Zone Promotion Package (April 2017- March 2018)

Notes to Advertisers

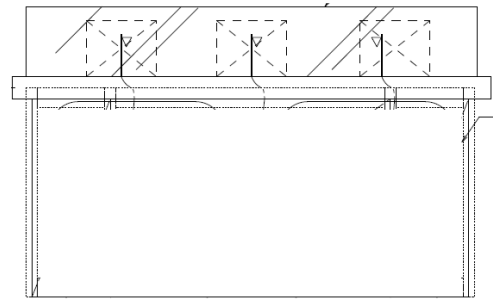
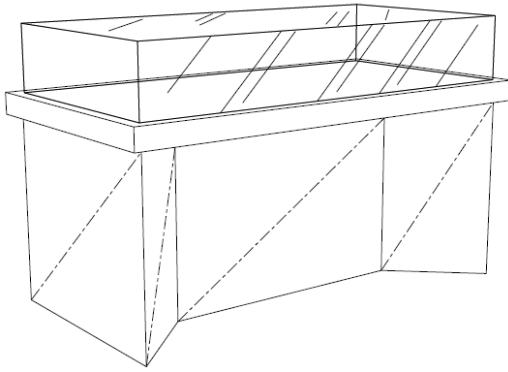
1. Product Display Arrangements

a) Product Layout

- Products will be laid out by advertisers at the fairground on the specific date. There will be approximately 1-2 hours allocated for set-up and the HKTDC will advise the exact time later. Advertisers must arrive at the fairground on designated date and time to lay out the products. If the advertisers are not on time, no further arrangement will be made and the advertisers will be regarded as having given up their exhibition rights. The HKTDC reserves the right to use the showcase / garment rack / product display shelf / table-top for other purposes and no refunds or any other compensation will be given.
- All showcase / garment rack / product display shelf / table-top location will be assigned by the HKTDC, and there must be no disputes.
- Showcase, garment rack and product display shelf specification and details:

<p><u>Standard Showcase</u></p> 	<p><u>Hot Picks</u></p> 
<ul style="list-style-type: none">● Each showcase can display a maximum of 10 types of products● Each showcase has a 500 watt 3-pin square socket, please bring along a travel adapter if needed	

Premium Showcase (only offered at Watch & Clock Fair and Jewellery Show)



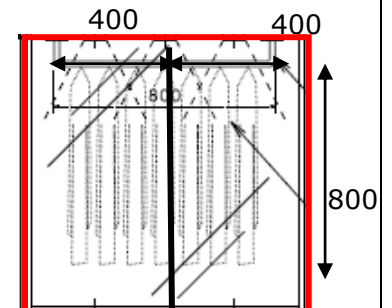
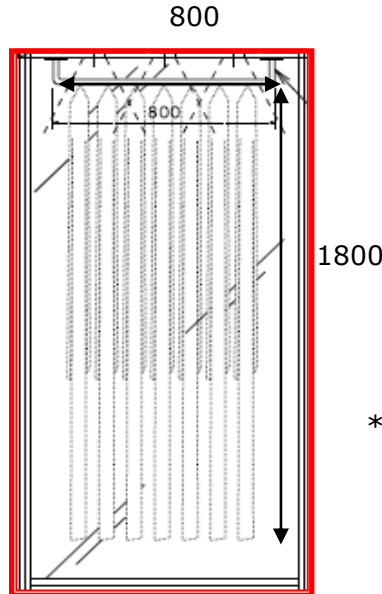
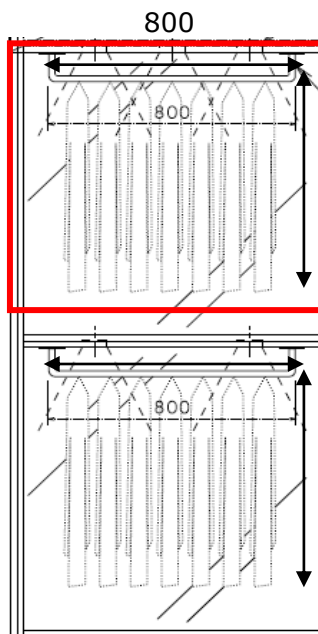
- Each showcase can display products from 3 advertisers
- Total display area for each advertiser: 375mmW x 375mmD x 200mmH
- Each advertiser can display a maximum of 9 products

Garment Rack (only offered at Fashion Week)

Double-deck Garment Rack
800(L) x 800 (H) mm

Vertically Merged
Garment Rack
800 (L) x 1800 (H) mm

Half Garment Rack*
400 (L) x 800 (H) mm

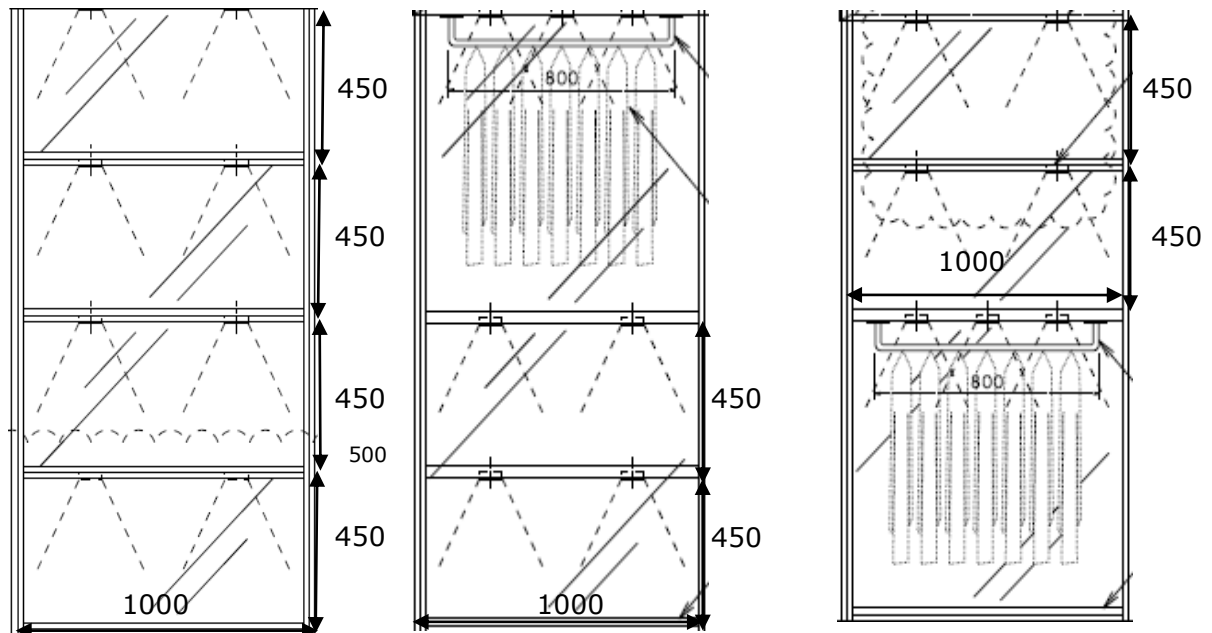


* Advertisers can display a **maximum of 3 or 5 products** in the half garment rack (according to the contract signed)

- Double-deck and Vertically Merged Garment Rack can display a **maximum of 10 types of products**

Product Display Shelf (only offered at Fashion Week)

Display format as below:
Each deck: 1000 (L) x 450 (H) mm



- **Each advertiser can display 1 product with its size restricted to : 297 (L) x 210 (W) x 400 (H)mm**
- Each deck of the product display shelf will display maximum of 3 advertisers' product
- Shoe products will be placed at the bottom shelf
- Advertisers who purchased a whole deck of the product display shelf can display a maximum of 4 products
- All product display locations and positions will be assigned by the HKTDC, and there must be no disputes.

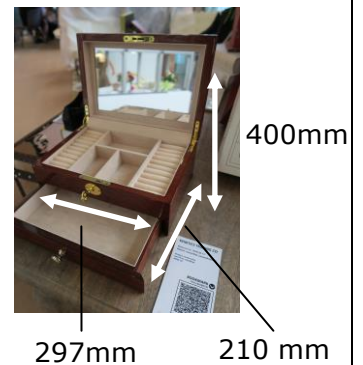
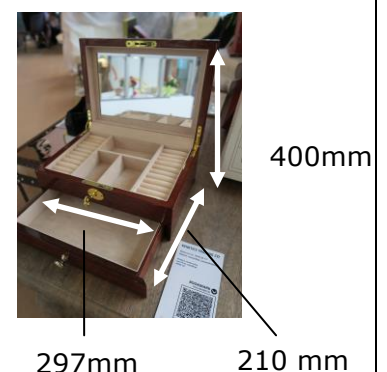


Table Top (only offered at specific trade fairs)

- **Each advertiser can display 1 product with its size restricted to : 297 (L) x 210 (W) x 400 (H)mm**
- All product display locations and positions will be assigned by the HKTDC, and there must be no disputes.





- Each showcase / garment rack / individual display product has a tent card, which includes:
 - Company name
 - Product display zone no. of the hktcd.com Small Orders
 - Booth no (if any)
 - hktcd.com website
 - Dedicated QR code



Showcase tent card and individual price tag (sample)



Showcase tent card for Brand Name Gallery exhibitors (sample)



Garment Rack tent card and price tag for individual product (sample)



Product Display Shelf / table-top tent card will be combined with price tag for products (sample)



Buyer list (sample)


- The HKTDC will place a tag showing the respective product name, unit price in US dollars and MOQ next to each product for buyers' easy reference. Please note, the MOQ of the products displayed at the hktcd.com Small Orders, must be an integer within 5 - 1,000 units, and **all displayed products are for wholesale only**, and not for retail.
- Advertisers must prepare all their setup equipments and decoration materials, the HKTDC will not provide any materials. For safety reason, the HKTDC does not encourage the display of products that can generate a large amount of heat. The HKTDC reserves the right to terminate the display without any refunds.
- Advertisers cannot change or remove any structure of the showcase / garment rack / product display shelf / table top. Tape, plasters or pins must not be applied to interior and exterior of the showcase / garment rack / product display shelf / table top. If there are any damages made to the showcase / garment rack / product display shelf / table top, advertisers must pay for the repair. Please note, all promotional and decoration materials inside showcase / garment rack / product display shelf / table top can only promote advertiser's participation at the HKTDC events (if applicable).





- Advertisers cannot change products during fair period or employ staff to station at the hktdc.com Small Orders Product Display Zone. Advertisers can make up their products one hour before the fair opens or one hour after the fair ends each day if needed.
- Advertisers who wish to feature audio/video together with their products should be aware of the intellectual property rights and obtain relevant rights from respective owners beforehand. The volume of the audio/video should not cause disturbance to other exhibitors and/or visitors to the hktdc.com Small Orders Product Display Zone. The HKTDC reserves the right to adjust the volume to an appropriate level whenever needed.
- Advertisers purchased two standard showcase units or garment racks can request to merge the standard showcases or garment racks vertically (but not horizontally). Please state clearly in the advertising contract if this service is required.
- Remark for "Hot Picks" and "Premium Showcase" advertisers: The HKTDC will assign dedicated staff to assist interested buyers in touching the products and feel their quality, however, product trial or demonstration would not be arranged.
- Product Layout Special Arrangement (only applicable to Hong Kong International Jewellery Show 2018 advertisers):
 - As a security measure, advertisers must wear the exhibitor badge for laying out products at the product display area of hktdc.com Small Orders Product Display Zone.
 - Please proceed to the Expo Drive Entrance of the Hong Kong Convention & Exhibition Centre on the move-in day (exact date to be confirmed) with your business card:
 - i) Exhibitors' "Check-in Counter" to collect exhibitor badge
 - ii) Product display area of hktdc.com Small Orders to collect showcase key. After related check-in procedures, advertisers can deposit the products into the strong / storage room provided by the HKTDC, and then setup products on the following day before the fair begins.
 - If advertisers did not collect exhibitor badge and showcase key as specified, it is deemed the advertisers have given up their exhibition rights. The HKTDC reserves the right to use the showcases for other purposes and no refunds or any other compensation will be given.
 - Showcases are double-locked, and could only be opened with the two keys kept by the HKTDC and advertisers respectively. **According to Hong Kong Police's warning, all products displayed at the hktdc.com Small Orders must be removed within 1 hour after the fair ends each day, and to be lay out properly 1 hour before the fair opens the next day.**
 - Advertisers please bring along exhibitor badge and showcase key for admission to the product display area of the hktdc.com Small Orders and open the showcases.



-
- 
- Advertisers can use the "Overnight storage facility service" provided by the HKTDC. Yet, this service should be applied for beforehand, details would be announced on separate notice.

b) Products Reclaim / Delivery Arrangement

- Advertisers should present confirmation letter, name card or exhibitor's badge to reclaim all products at the fairground on the dates, or appoint the HKTDC to deliver the products to one designated location with below administrative fee (base on one unit of showcase / garment rack; for product display shelf / table top display, each product will be counted as one unit, and the total product weight should be 5kg or less):
 - **Hong Kong region: HK\$150**
 - **Chinese mainland: ¥400 (approximately HK\$620)**
 - **Taiwan or other regions: US\$60 (approximately HK\$470)**
- The above administrative fee does not include all customs clearance charges; advertisers should settle the charges directly with the local customs if needed.
- The HKTDC would not guarantee the safety and security of the products under delivery, and would not be liable for any lost, theft and/or damage. Advertisers are advised to buy insurance for the products if deemed necessary.
- Advertisers should have settled related administrative fee 2 weeks prior to the commencement of the fair, and indicate the full delivery address and contact person in "Product Reclaim Arrangement" section of the submission form as confirmation of the delivery arrangement.
- Please note that **delivery arrangement is not applicable to "Brand Name Gallery" exhibitors**, clients have to reclaim their products at the fairground on the dates.
- The early removal of advertisers' exhibits will seriously affect the normal business discussions between buyers and advertisers. Air-/train-/ferry-tickets must be presented for early move-out. Yet, regardless of the cause, this still constitutes to a breach of the rules and regulations, and advertisers' showcase location at future hktdc.com Small Orders may be affected. In addition, the HKTDC reserves the right to reject advertisers to participate the promotion package of the hktdc.com Small Orders in the future.
- If advertisers have not reclaimed their products on the date and time specified in the "Important Events & Dates", and have not appointed the HKTDC to deliver the products, the advertisers will be considered as having given up the right to reclaim the products. The HKTDC will remove the products without prior notice.
- In view of industry characteristics and due to security concern, the above product delivery service would not be provided to advertisers of the Hong Kong International






Jewellery Show 2018. Advertisers would have to bring along their exhibitor's badge and showcase key on the date and time specified to reclaim their products onsite. If advertisers have not reclaimed their products on the date and time specified, thus the advertisers will be considered as having given up the right to reclaim the products, and the HKTDC will remove the products without prior notice.

- Special Arrangement: Product Storage and Re-setup Service (only applicable to advertisers who participate in both Hong Kong Electronics Fair (Autumn Edition) and Hong Kong International Lighting Fair (Autumn Edition) in October 2017)
 - The HKTDC could provide product storage and re-setup service. Yet advertisers should pack the products onsite on the last fair day of the Hong Kong Electronics Fair (Autumn Edition) and put the products in boxes provided by the HKTDC. We will store these packed products, and have the products re-setup for the Hong Kong International Lighting Fair (Autumn Edition). Administrative fee for this service is HK\$500 / ¥500 / US\$65, and the service would only be provided if four or more advertisers participate.
 - Should you require this service, please indicate clearly in Part 4 - Product Reclaim Arrangement of the information submission form and settle related administrative fee at least 2 weeks prior to the commencement of the Hong Kong Electronics Fair 2017 (Autumn Edition).

2. Buyers' Enquiries and Online Transactions on hktdc.com Small Orders

- Each showcase advertiser of the hktdc.com Small Orders Product Display Zone will receive a dedicated QR Code to be placed at the showcase. When buyers scan the QR codes, they can download your company and product information. Advertiser should upload the latest company information and product photos to hktdc.com before the fair. Buyer list with the contact information of the buyers who scanned your QR code will be sent to you at the end of each fair day so that you can easily record these buyers and contact them directly.
- Online transactions on hktdc.com Small Orders (<http://smallorders.hktdc.com>) are already available. Buyers can purchase your products online by PayPal or credit cards. Intensive promotion of the feature will be made at the trade fairs to encourage buyers to purchase products displaying onsite via the hktdc.com Small Orders Product Display Zone. If deemed necessary, the HKTDC will select related products from advertisers' showcases or garment racks to promote to visiting buyers and encourage them to make purchase onsite via the hktdc.com Small Orders online transaction platform. Advertisers who would like to participate in this value-added promotion service, please indicate clearly in Part 2 - Product Information of the information submission form.
- To grasp the business opportunities brought by the onsite promotion and online transaction function, you have to open a PayPal business account to receive payment online, and upload the products photos, specifications, minimum order quantity (MOQ), unit price in USD, delivery cost and lead time etc on hktdc.com.
- Once a buyer has made a purchase, you will receive email notifications, while payment





will be credited instantly into your PayPal account. You can then arrange delivery to the corresponding address according to the buyers' preferred way.

- All the advertisers of the hktdc.com Small Orders can enjoy the online transaction feature for free. PayPal will charge a transaction fee of 2.9% + US\$0.3 of each transaction from hktdc.com suppliers who use a Hong Kong PayPal Business Account. If you would like to enable the online transaction feature and open a Hong Kong PayPal Business Account, please state in the submission form so that the information can be passed to PayPal and they can contact you to create an account.
- For detail, please visit <http://smallorder.hktdc.com/globalsupplier> or email to os.supplier.soz@hktdc.org.

3. Intellectual Property Rights

- As the statutory body promoting Hong Kong's international trade, the HKTDC is committed to fostering original design and safeguarding intellectual property rights. Advertisers of the hktdc.com Small Orders should comply with the rules and regulations stipulated in the appendix 1 "Protection of Intellectual Property Rights at HKTDC Exhibitions - Exhibitors' Brief", or "IPR Exhibitors Brief" section in the Circular to Exhibitors available at below links:

- [Hong Kong International Lighting Fair \(Spring Edition\)](#)
- [Hong Kong Electronics Fair \(Spring Edition\)](#)
- [Hong Kong Houseware Fair](#)
- [Hong Kong Gifts & Premium Fair](#)
- [Hong Kong Fashion Week for Spring / Summer](#)
- [Hong Kong Watch & Clock Fair](#)
- [Hong Kong Electronics Fair \(Autumn Edition\)](#)
- [Hong Kong International Lighting Fair \(Autumn Edition\)](#)
- [Hong Kong Toys & Games Fair](#)
- [Hong Kong Fashion Week for Fall/Winter](#)
- [Hong Kong International Jewellery Show](#)

4. Product Safety Protection

- The HKTDC will handle advertisers' products carefully in all possible areas. However, we could not guarantee for its security, nor be responsible for any theft, loss or damage of the products during delivery (including but not limited to the delivery to and from advertiser and HKTDC, HKTDC and service providers).
- The HKTDC undertakes no financial or legal responsibility for any type of risk concerning or affecting the exhibitors/advertisers/visitors, their personal belongings





and exhibits. Exhibitors/Advertisers are therefore responsible for taking out all necessary insurance to cover their exhibits, the stand fittings and fixtures, the venue and other third parties.

- All property and goods, including without limitation all Publicity Material brought by exhibitors/advertisers into any part of the Exhibition Venue including, without limitation, Stands, Space and Raw Space are brought at the Exhibitor's/Advertiser's risk. The HKTDC does not guarantee the safety and security of such property or goods and shall not in any way be liable or responsible for any theft, loss or damage thereof. For the avoidance of doubt, the showcases, cabinets and other storage facilities as provided by the HKTDC in any part of the Exhibition Venue including, without limitation, Stands, Space and Raw Space are for exhibition purposes only. The Exhibitors/Advertisers are solely responsible for the safety and security of all their property or goods stored in such showcases, cabinets and storage facilities at all times.
- Advertisers should buy insurance for the displayed products if needed.
- Special Security Measures (only applicable to Hong Kong International Jewellery Show 2018):
 - Security guards will be arranged at the product display area of the hktdc.com Small Orders from move-in period until the fair
 - Advertisers must wear exhibitor badge for admission to the product display area of the hktdc.com Small Orders while buyers must wear visitor badge. Visitors without badge would not be admitted.

Remarks:

- The promotion package of hktdc.com Small Orders is a special promotional service provided by the HKTDC. We reserve the right to make amendments about the service at any time.
- All photos are for reference only.



2017年4月至2018年3月「貿發網小批量採購」推廣計劃

重要事項及日期

201704-201803_SOZ_HK_TW

重要事項	重要日期											
	春季燈飾展	春季電子展	家庭用品展	禮品及贈品展	時裝節春夏系列	鐘表展	秋季電子展	秋季燈飾展	玩具展	時裝節秋冬系列	珠寶展	
展覽會「貿發網小批量採購」產品陳列區												
1.1 客戶遞交「貿發網小批量採購」推廣計劃資料申報表	2017年2月22日	2017年2月22日	2017年2月22日	2017年2月22日	2017年5月31日	2017年7月28日	2017年8月30日	2017年8月30日	2017年11月29日	2017年11月29日	2018年1月17日	
1.2 貿發局以抽籤形式分配展櫃位置，並向參加者公佈有關結果	2017年3月下旬	2017年4月上旬	2017年4月中旬	2017年4月中旬	2017年6月下旬	2017年8月下旬	2017年10月上旬	2017年10月中旬	2017年12月下旬	2018年1月上旬	2018年2月下旬	
1.3 客戶開通網上交易功能，經「貿發網」自助操作系統上載產品規格、相片、價格和運費，以及PayPal商業賬戶資料	相關展覽會開始前7個工作天											
1.4 客戶帶同所有展品於會場的「貿發網小批量採購」產品陳列區自行擺放 (確實時間將於通知貴公司展櫃位置時一併公佈)	2017年4月5日	2017年4月12日	2017年4月19日	2017年4月26日	2017年7月9日	2017年9月4日	2017年10月12日	2017年10月26日	2018年1月7日	2018年1月14日	待定*	
1.5 客戶到展覽會場取回展品 (展覽會完結後一小時內)	2017年4月9日	2017年4月16日	2017年4月23日	2017年4月30日	2017年7月13日	2017年9月9日	2017年10月16日	2017年10月30日	2018年1月11日	2018年1月18日	待定	

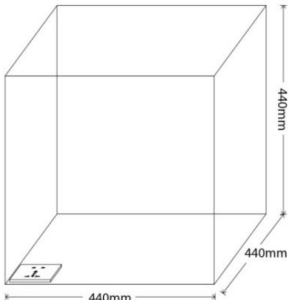
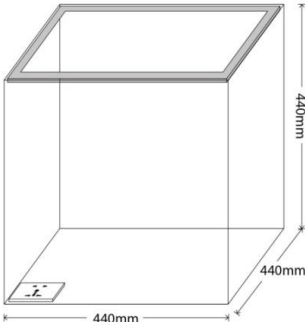
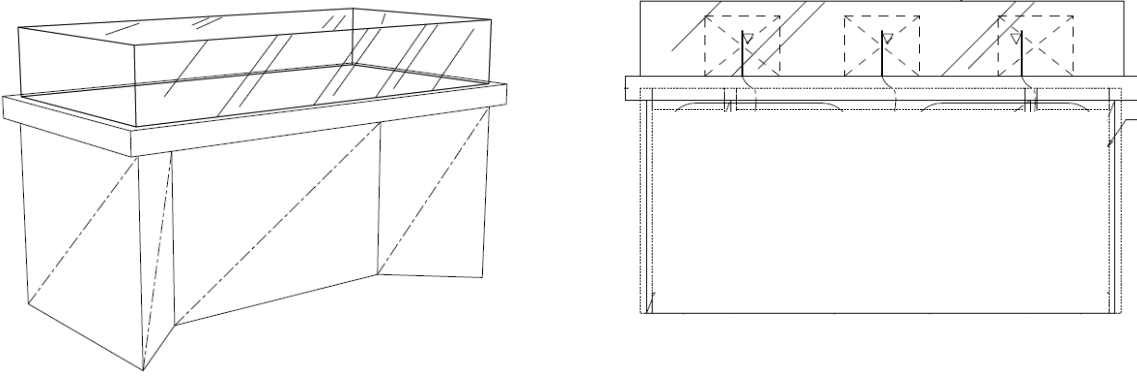
* 客戶帶同所有展品於會場領取參展商工作證、「貿發網小批量採購」展櫃鑰匙，將展品貯放於大會提供的保險庫或貯物室中 (須事先向本局申請有關服務)，方便翌日展覽開始前擺放產品。

2017 年 4 月至 2018 年 3 月「貿發網小批量採購」產品陳列區 參加者須知

1. 產品陳列安排

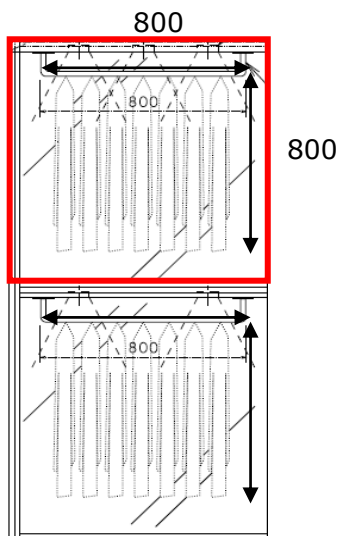
a) 擺放產品

- 產品將由客戶於上述指定日期自行擺放，擺放時間約1-2小時，確實時間將由本局另行通知。客戶必須根據本局安排的日期及時間到達，逾時本局將不作另行安排，並會視作客戶放棄參展權利。本局有權把展櫃/服裝展示架/產品展示層架/展示桌用作其他用途，並不會作出退款或任何賠償。
- 所有展櫃/服裝展示架/產品展示層架/展示桌的產品擺放位置將由貿發局安排，客戶不得異議。
- 展櫃及展示架規格及詳情：

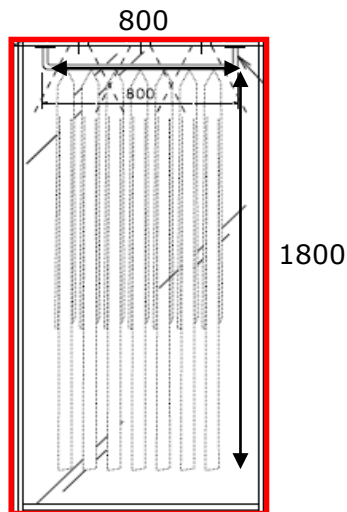
<p>一般展櫃</p> 	<p>體驗專櫃</p> 
<ul style="list-style-type: none">● 每個展櫃可擺放最多 10 款產品● 每個展櫃內均備有 500 瓦特 (Watt) 三腳方頭電插座一個，如有需要，請自備轉換插頭	
<p>特級展櫃 (只於鐘錶展及珠寶展提供)</p>  <ul style="list-style-type: none">● 每個展櫃將擺放三位客戶的產品● 每位客戶的產品總展示位置必須為 375 毫米闊 x 375 毫米長 x 200 毫米高以內● 每位客戶可擺放最多 9 款產品	

服裝展示架 (只於時裝節提供)

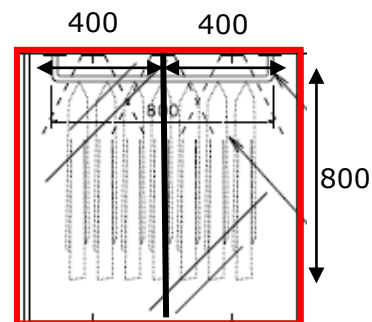
雙層服裝展示架
每層：800 (長) x 800 (高) 毫米



雙層打通服裝展示架
800 (長) x 1800 (高) 毫米



半層服裝展示架*
400 (長) x 800 (高) 毫米

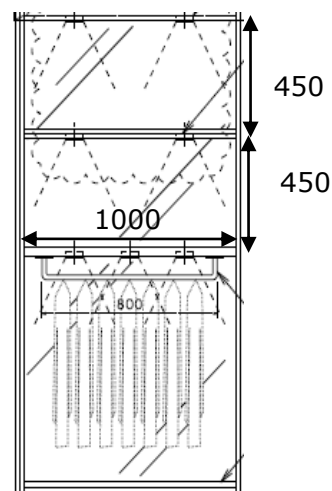
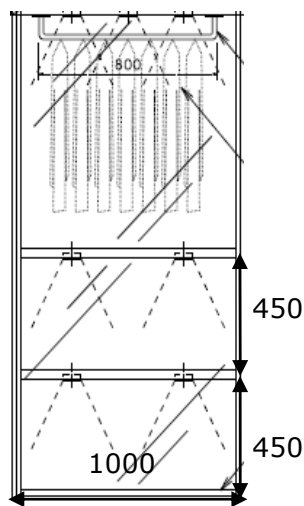
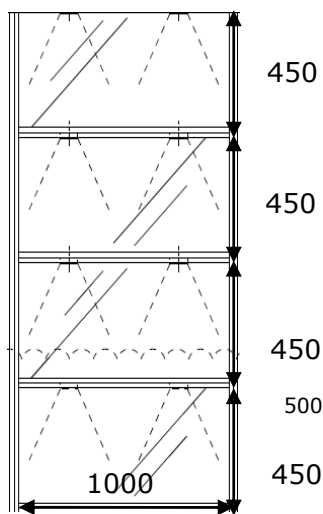


*客戶可利用半層展示架擺放最多3或5款產品 (根據其合約而定)

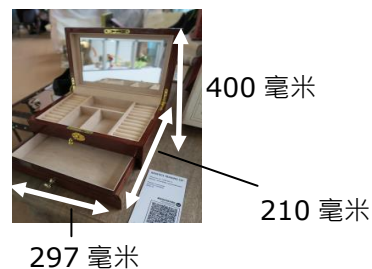
- 雙層及雙層打通服裝展示架均可供擺放最多10款產品

產品展示層架 (只於時裝節提供)

展示方式如下：
每層：1000 (長) x 450 (高) 毫米



- 每位客戶可擺放1款產品，展品大小限制：
297 (長) x 210 (闊) x 400 (高) 毫米
- 每層產品展示層架將擺放最多3位客戶的產品
- 鞋類產品將會集中放置於產品展示層架最底層位置
- 預訂全層產品展示層架之客戶則可擺放最多4款產品
- 客戶的產品及展示位置將由本局職員代為擺放及安排，客戶不得異議。



展示桌 (只於特定展覽會提供)

- 每位客戶可擺放 1 款產品，展品大小限制：
297 (長) x 210 (闊) x 400 (高) 毫米
- 客戶的產品及展示位置將由本局職員代為擺放及安排，客戶不得異議。



- 每位客戶的展櫃/服裝展示架/個別展示產品將設有名牌一個，內容包括：

- 公司名稱
- 專屬二維碼 (QR Code)
- 「貿發網」(hktcdc.com) 網址
- 相關展覽會展台號碼 (如適用)
- 「貿發網小批量採購」產品展示號碼



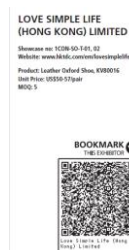
貼於展櫃上的名牌及
個別產品標籤 (範例)



「品牌薈萃廊」特裝展台
參展商名牌 (範例)



貼於服裝展示架上的名牌及
個別產品標籤 (範例)



產品展示層架或展示桌上的名牌及
產品標籤將合併 (範例)



買家名單 (範例)



- 本局會將產品名稱、美元訂購單價及最低訂購量 (MOQ) 標示在每件產品旁邊，方便買家採購。請注意，所有於「貿發網小批量採購」產品陳列區展出之產品的最低訂購數量必須為 5 至 1,000 的整數，所有產品須用作批發，而非零售用途。
- 客戶需自行準備一切裝飾配件及工具，本局將不會提供有關物資。基於安全理由，本局不建議客戶在展櫃/服裝展示架展示會發出大量熱力的產品，香港貿發局有權拒絕客戶展示有關產品，而不會作出任何賠償。
- 客戶不得擅自改動或拆除展櫃/服裝展示架/產品展示層架/展示桌結構的任何部份，展櫃/服裝展示架/產品展示層架/展示桌內外均不得貼上任何膠紙或膠布，亦不得釘上釘子。展櫃/服裝展示架/產品展示層架/展示桌如有任何損壞，一概由客戶負責賠償。請注意，所有在展櫃/服裝展示架/產品展示層架/展示桌內的產品、宣傳品及佈置飾物均只可推廣貴公司所參與的香港貿發局活動 (如適用)。
- 客戶不得於展覽期間更換產品、亦不得派員於「貿發網小批量採購」產品陳列區現場當值。如有此需要，則只能於每天展覽開始前或結束後一小時內整理產品。
- 客戶如欲透過產品或其他影音設備播放歌曲或短片須注意有關的知識產權，並於展覽開始前向版權持有人申請有關的使用許可證。請留意歌曲或短片的聲浪不可對其他參展商及/或參觀「貿發網小批



量採購」產品陳列區的買家構成滋擾，香港貿發局亦保留調教音量至合適水平的權利而不作另函通知。

- 如客戶租用兩格一般展櫃/服裝展示架，可要求打通上下展櫃/服裝展示架（不能左右打通）。如需此服務，請於廣告合約上訂明。
- 「體驗專櫃」及「特級展櫃」安排：本局將有專人協助有興趣的買家體驗或觸摸產品及質量，但並不包括試穿、試用或示範產品。
- **擺放產品特別安排（只適用於「香港國際珠寶展 2018」的客戶）：**
 - 基於保安理由，客戶必須配戴參展商工作證以進入「貿發網小批量採購」產品陳列區擺放展品。
 - 請於進場日（確實日子待定）攜同公司名片前往香港會議展覽中心博覽道入口大堂設置之：
 - i. 「參展商登記進場櫃位」辦理進場登記手續，並領取參展商工作證
 - ii. 「貿發網小批量採購」產品陳列區領取展櫃鑰匙。客戶可於辦理有關手續後，將產品存放於大會提供的保險庫或貯物室中（須事先向本局申請有關服務），方便翌日展覽開始前擺放產品。
 - 客戶如沒有於上述進場日領取參展商工作證及展櫃鑰匙，將會視作客戶放棄參展權利。本局有權把展櫃用作其他用途，並不會作出退款或任何賠償。
 - 「貿發網小批量採購」產品陳列櫃將雙重上鎖，須同時以兩條分別由香港貿發局及客戶保存的鑰匙開啟。奉警方呼籲展櫃內展品必須於每天展覽時段結束後一小時內撤走，並於翌日展覽會開始一小時前擺放妥當。
 - 客戶請帶備參展商工作證及鑰匙，以便進入「貿發網小批量採購」產品陳列區及開啟展櫃。
 - 客戶可使用大會提供的「通宵貯存服務」。惟此服務必須於事先向本局申請，詳情本局將另行通告。

b) 取回展品 / 回運安排

- 客戶須於指定日期及時間派員帶同確認函、公司名片或參展商工作證，到產品陳列區現場取回展品。
- 客戶亦可委託本局將展品送回一個指定地點，惟客戶必須繳付有關行政費用（以一個展櫃/服裝展示架計算；如屬產品展示層架/展示桌產品，則以每件產品計，產品總重量須為 5 公斤或以下）：
 - 香港地區：**HK\$150**
 - 中國內地：**¥400**
(約 HK\$620)
 - 臺灣及其他地區：**US\$60**
(約 HK\$470)
- 以上行政費並不包括一切清關費用。如需要，收件人必須直接到當地海關繳付。
- 本局對產品於運送途中的安全及保安不作出保證，亦不會為任何失竊、損失或損壞負上任何責任。如有需要，請為您的產品購買保險。
- 客戶必須於相關展覽會開始前兩星期繳付上述行政費用，並於資料申報表中「取回產品指示」部份，提交完整運送地址及收件人聯絡資料，其回運服務申請方視為作實。
- 請注意，回運服務並不適用於「品牌薈萃廊」特裝展台參展商，客戶須自行派員到「貿發網小批量採購」產品陳列區現場取回展品。
- 客戶如提早撤離展會，將嚴重幹擾正常商貿洽談，或會令參觀買家失望而回。如因交通安排需提早撤走展品，須出示有關機票/車票/船票。與此同時，提早撤走展品仍屬違規行為，或會影響貴公司





將來參與此專區的產品展示位置。本局保留拒絕違規客戶參與將來「貿發網小批量採購」推廣計劃之權利。

- 如客戶未有於指定日期及時間到現場取回展品，亦沒有委託本局將展品送回，則視客戶放棄取回展品之權利。本局將自行安排清除有關產品而不作另行通知。
- 鑒於行業特性及保安理由，上述回運服務將不適用於「香港國際珠寶展 2018」的客戶。客戶必須帶同參展商工作證及展櫃鑰匙於指定日期及時間到產品陳列區現場取回展品。如客戶未有於指定日期及時間到現場取回展品，則視客戶放棄取回展品之權利。本局將安排清除有關產品而不作另行通知。
- 特別安排：展品儲存及佈置服務（只適用於同時參與 2017 年 10 月舉行的「香港秋季電子產品展」及「香港國際秋季燈飾展」的客戶）
 - 本局可提供產品儲存及再佈置服務。惟客戶須於「香港秋季電子產品展」完結當天親自或派員到「貿發網小批量採購」產品陳列區，妥善收拾展櫃內的產品並放入本局提供的紙箱內。本局將代客戶儲存該等產品，並於「香港國際秋季燈飾展」進館當天為客戶重新佈置產品。有關的服務費為 HK\$500 / ¥500 / US\$65 (以一個展櫃為單位)，此項服務必須有四位或以上客戶參與，本局才會提供。
 - 如欲使用此服務，請於「貿發網小批量採購」推廣計劃資料申報表中的第四項-取回產品指示中清楚標示，並於「香港秋季電子產品展 2017」開始兩星期前繳付上述服務費。

2. 買家查詢及網上交易

- 本局將為在「貿發網小批量採購」陳列產品的客戶提供一個專屬的二維碼 (QR Code)，並展示於陳列櫃當眼位置方便買家即場掃描及下載您的公司及產品資料。在每日展覽會完結後，本局會將曾下載過貴公司資料的買家名單及聯絡資料電郵給您，助您與這些買家儘快跟進洽商。
- 「貿發網小批量採購」(<http://smallorders.hktdc.com>) 的網上交易功能現已開通，買家現可隨時隨地透過 PayPal 賬戶或信用卡付款購買產品。本局將會繼續在展覽會會場大力推廣網上交易服務，並重點推介可供即時網上交易的產品。如有需要，本局將從客戶的展櫃/服裝展示架中抽取有關產品作推介，鼓勵展會買家即場向在「貿發網小批量採購」陳列產品的供應商購買產品。客戶如有意參與此增值推介服務，請於資料申報表第二部份「產品資料」項表明意向。
- 要抓緊現場推廣及網上交易為您帶來的商機，您必須於展覽會前開設 PayPal 賬戶以收取網上交易的款項，並把即將在展覽會陳列的產品規格、相片、最低訂購數量、美元價格、運費及發貨時間等資料上載到「貿發網」。
- 每當買家在網上確認購買貴公司的產品，您將透過電郵及「貿發網」管理系統收到通知，而有關貨款及運費將即時存入您的 PayPal 賬戶。您可隨即根據買家在訂單所選擇的方式，儘快將貨品運送到指定的地址。
- 所有參與「貿發網小批量採購」推廣計劃的供應商均可免費享用「貿發網小批量採購」網上交易服務，而 PayPal 更將為開設香港商業賬戶的「貿發網」供應商提供每宗海外交易低至 2.9%+US\$0.3 手續費優惠。如欲參與網上交易服務以及開設 PayPal 香港商業賬戶，請於申報表中表明意向，以便本局作相應安排並將貴公司資料轉交 PayPal 跟進開戶事宜。
- 詳情請瀏覽 <http://smallorders.hktdc.com/supplier> 或電郵至 supplier.soz@hktdc.org。



3. 保護知識產權措施

- 貿發局對於推動原創設計以及保護知識產權不遺餘力，故請「貿發網小批量採購」陳列產品的客戶必須遵守《香港貿易發展局展覽會保護知識產權措施 - 參展商須知》內的所有條文，並按以下連結瀏覽不同展覽會相關條文：

- [香港國際春季燈飾展](#)
- [香港春季電子產品展](#)
- [香港家庭用品展](#)
- [香港禮品及贈品展](#)
- [香港時裝飾春夏系列](#)
- [香港鐘錶展](#)
- [香港秋季電子產品展](#)
- [香港國際秋季燈飾展](#)
- [香港玩具展](#)
- [香港時裝飾秋冬系列](#)
- [香港國際珠寶展](#)

4. 產品安全保障

- 本局將盡一切可能於可行範圍內小心處理客戶的產品。惟本局對產品於運送途中（包括但不限於客戶及本局、本局及服務承辦商之間的往返運送）及/或於展覽會現場展示期間的安全及保安不作出保證，亦不會為任何失竊、損失或損壞負上任何責任。
- 香港貿發局對涉及參展商/廣告商/參觀者、其個人物品及展品的任何風險，概不負財務或法律責任。參展商/廣告商應為其展品、攤位裝置、會場及其他第三者投保。
- 所有參展商/廣告商帶進展覽場地任何部分（包括但不限於攤位、展覽攤位及展覽淨地）的財物和物品（包括但不限於所有宣傳品）均由參展商/廣告商自行負上責任。香港貿發局對該等財物或物品的安全及保安不作出保證，亦無須為任何失竊、損失或損壞負上任何責任。為免生疑問，香港貿發局於展覽場地任何部分（包括但不限於攤位、展覽攤位及展覽淨地）所提供的陳列櫃、貯存櫃及其它貯物設施只作展覽用途。參展商/廣告商於任何時間均對存放於該等陳列櫃、貯存櫃及貯物設施的所有財物或物品的安全及保安擁有全部責任。
- 如有需要，請為您的產品購買保險。
- 保安措施特別安排（只適用於「香港國際珠寶展 2018」的客戶）：
 - 專區將安排保安人員，由進場當天下午開始 24 小時駐守至展覽會完結；並設閉路電視於展覽開放時間內作監察錄影。
 - 客戶必須配戴參展商工作證以進入「貿發網小批量採購」產品陳列區，而所有買家則須配戴買家入場證。未有配戴證件之人士將不獲進入專區。

備註

- 「貿發網小批量採購」推廣計劃乃香港貿發局推出之特別宣傳服務，香港貿發局保留隨時更改有關服務之權利，而不作另行通知。
- 所有相片只供參考。



2017年4月至2018年3月「贸发网小批量采购」推广计划

重要事项及日期

201704-201803_SOZ_CN

重要事项	重要日期											
	春季灯饰展	春季电子展	家庭用品展	礼品及赠品展	时装周春夏系列	钟表展	秋季电子展	秋季灯饰展	玩具展	时装周秋冬系列	珠宝展	
展览会「贸发网小批量采购」产品陈列区												
1.1 客户递交「贸发网小批量采购」推广计划资料申报表	2017年2月22日	2017年2月22日	2017年2月22日	2017年2月22日	2017年5月31日	2017年7月28日	2017年8月30日	2017年8月30日	2017年11月29日	2017年11月29日	2018年1月17日	
1.2 贸发局以抽签形式分配展柜位置，并向参加者公布有关结果	2017年3月下旬	2017年4月上旬	2017年4月中旬	2017年4月中旬	2017年6月下旬	2017年8月下旬	2017年10月上旬	2017年10月中旬	2017年12月下旬	2018年1月上旬	2018年2月下旬	
1.3 客户开通网上交易功能，经「贸发网」自助操作系统上传产品规格、相片、价格和运费，以及PayPal商业账户资料	相关展览会开始前7个工作日											
1.4 客户带同所有展品于会场的「贸发网小批量采购」产品陈列区自行摆放 (确实时间将于通知贵公司展柜位置时一并公布)	2017年4月5日	2017年4月12日	2017年4月19日	2017年4月26日	2017年7月9日	2017年9月4日	2017年10月12日	2017年10月26日	2018年1月7日	2018年1月14日	待定*	
1.5 客户到展览会取回展品 (展览会结束后一小时内)	2017年4月9日	2017年4月16日	2017年4月23日	2017年4月30日	2017年7月13日	2017年9月9日	2017年10月16日	2017年10月30日	2018年1月11日	2018年1月18日	待定	

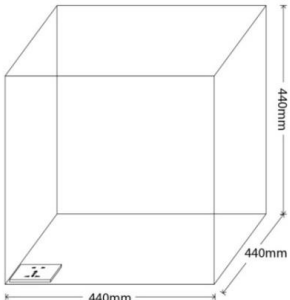
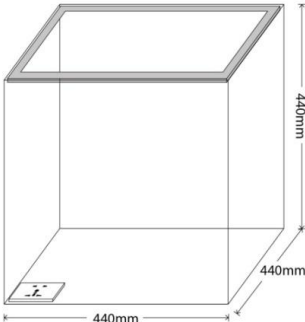
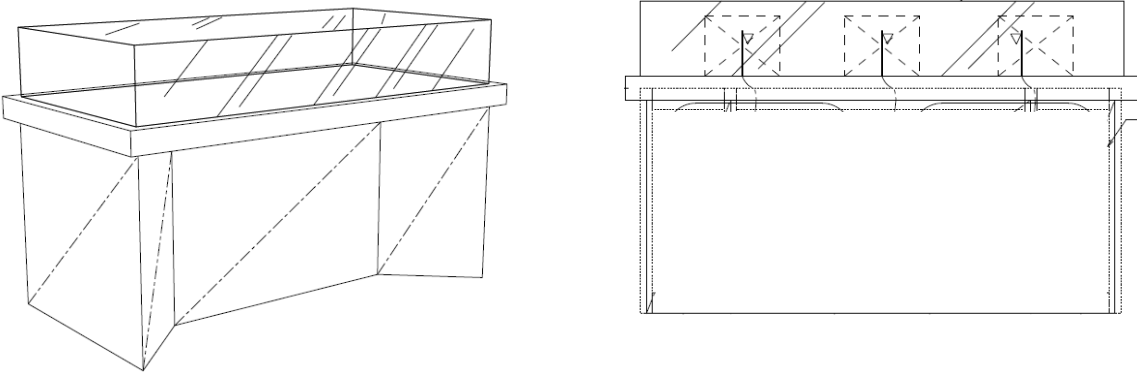
* 客户带同所有展品于会场领取参展商工作证、「贸发网小批量采购」展柜钥匙，将展品存放于大会提供的保险库或储物室中 (须事先向本局申请有关服务)，方便翌日展览开始前摆放产品。

2017 年 4 月至 2018 年 3 月「贸发网小批量采购」产品陈列区 参加者须知

1. 产品陈列安排

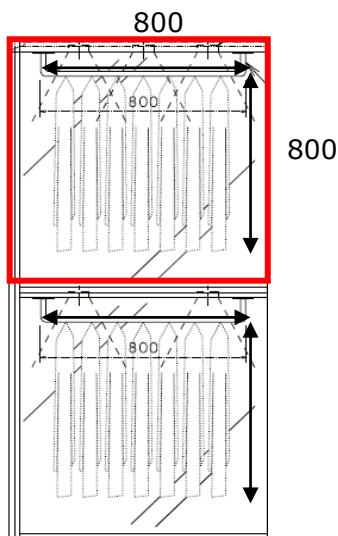
a) 摆放产品

- 产品将由客户于上述指定日期自行摆放，摆放时间约1-2小时，确实时间将由本局另行通知。客户必须根据本局安排的日期及时间到达，逾时本局将不作另行安排，并会视作客户放弃参展权利。本局有权把展柜/服装展示架/产品展示层架/展示桌用作其他用途，并不会作出退款或任何赔偿。
- 所有展柜/服装展示架/产品展示层架/展示桌的产品摆放位置将由贸发局安排，客户不得异议。
- 展柜及展示架规格及详情：

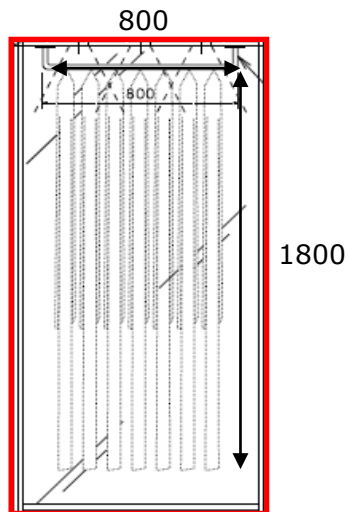
<p>一般展柜</p> 	<p>体验专柜</p> 
<ul style="list-style-type: none">● 每个展柜可摆放最多 10 款产品● 每个展柜内均备有 500 瓦特 (Watt) 三脚方头电插座一个，如有需要，请自备转换插头	
<p>特级展柜 (只于钟表展及珠宝展提供)</p> 	
<ul style="list-style-type: none">● 每个展柜将摆放三位客户的产品● 每位客户的产品总展示位置必须为 375 毫米阔 x 375 毫米长 x 200 毫米高以内● 每位客户可摆放最多 9 款产品	

服装展示架 (只于时装节提供)

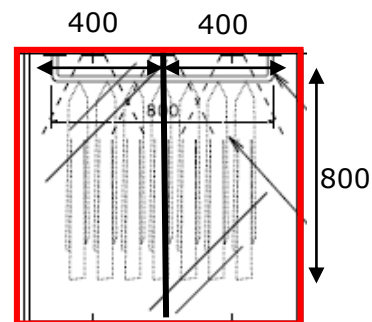
双层服装展示架
每层：800 (长) x 800 (高) 毫米



双层打通服装展示架
800 (长) x 1800 (高) 毫米



半层服装展示架*
400 (长) x 800 (高) 毫米

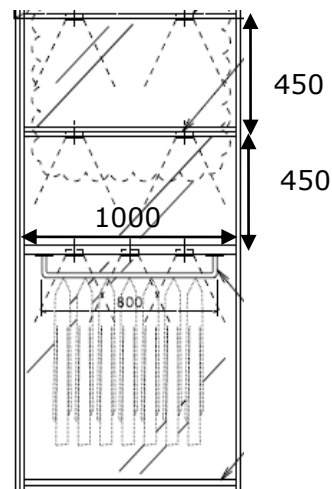
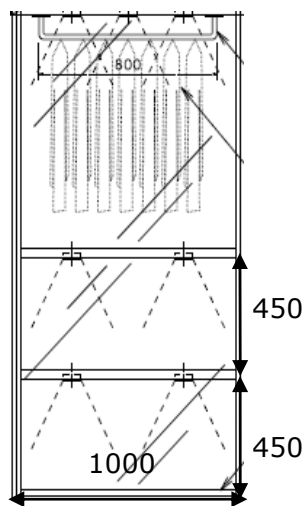
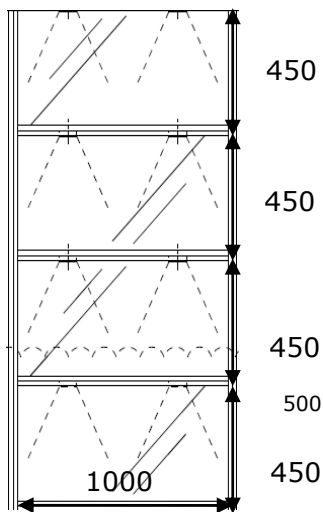


*客户可利用半层展示架摆放最多3或5款产品 (根据其合约而定)

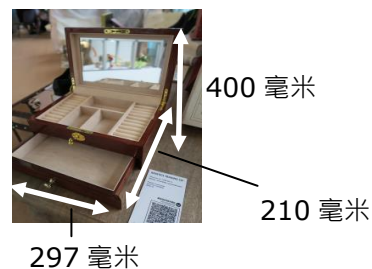
- 双层及双层打通服装展示架均可供摆放最多10款产品

产品展示层架 (只于时装节提供)

展示方式如下：
每层：1000 (长) x 450 (高) 毫米



- 每位客户可摆放1款产品，展品大小限制：**297 (长) x 210 (阔) x 400 (高) 毫米**
- 每层产品展示层架将摆放最多3位客户的产品
- 鞋类产品将会集中放置于产品展示层架最底层位置
- 预订全层产品展示层架之客户则可摆放最多4款产品
- 客户的产品及展示位置将由本局职员代为摆放及安排，客户不得异议。



展示桌 (只于特定展览会提供)

- 每位客户可摆放 1 款产品，展品大小限制：
297 (长) x 210 (阔) x 400 (高) 毫米
- 客户的产品及展示位置将由本局职员代为
摆放及安排，客户不得异议。



- 每位客户的展柜/服装展示架/个别展示产品将设有名牌一个，内容包括：

- 公司名称
- 专属二维码 (QR Code)
- 「贸发网」(hktcd.com)网址
- 相关展览会展台号码 (如适用)
- 「贸发网小批量采购」产品展示号码



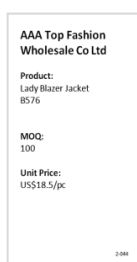
贴于展柜上的名牌及个别产品标签 (范例)



「品牌荟萃廊」特装展台参展商名牌 (范例)



贴于服装展示架上的名牌及个别产品标签 (范例)



贴于产品展示层架或展示桌上的名牌及产品标签合并 (范例)



买家名单 (范例)

- 本局会将产品名称、美元订购单价及最低订购量 (MOQ) 标示在每件产品旁边，方便买家采购。请注意，所有于「贸发网小批量采购」产品陈列区展出之产品的最低订购数量必须为 5 至 1,000 的整数，所有产品须用作批发，而非零售用途。
- 客户需自行准备一切装饰配件及工具，本局将不会提供有关物资。基于安全理由，本局不建议客户在展柜/服装展示架展示会发出大量热力的产品，香港贸发局有权拒绝客户展示有关产品，而不会作出任何赔偿。
- 客户不得擅自改动或拆除展柜/服装展示架/产品展示层架/展示桌结构的任何部份，展柜/服装展示架/产品展示层架/产品展示层架/展示桌内外均不得贴上任何胶纸或胶布，亦不得钉上钉子。展柜/服装展示架/产品展示层架/展示桌如有任何损坏，一概由客户负责赔偿。请注意，所有在展柜/服装展示架/产品展示层架/展示桌内的产品、宣传品及布置饰物均只可推广贵公司所参与的香港贸发局活动 (如适用)。
- 客户不得于展览期间更换产品，亦不得派员于「贸发网小批量采购」产品陈列区现场当值。如有此需要，则只能于每天展览开始前 或 结束后一小时内整理产品。
- 客户如欲透过产品或其他影音设备播放歌曲或短片须注意有关的知识产权，并于展览开始前向版权持有人申请有关的使用许可证。请留意歌曲或短片的声浪不可对其他参展商及/或参观「贸发网小批



量采购」产品陈列区的买家构成滋扰，香港贸发局亦保留调教音量至合适水平的权利而不作另函通知。

- 如客户租用两格一般展柜/服装展示架，可要求打通上下展柜/服装展示架（不能左右打通）。如需此服务，请于广告合约上订明。
- 「体验专柜」及「特级展柜」安排：本局将有专人协助有兴趣的买家体验或触摸产品及质量，但并不包括试穿、试用或示范产品。
- 摆放产品特别安排（只适用于「香港国际珠宝展 2018」的客户）：
 - 基于保安理由，客户必须配戴参展商工作证以进入「贸发网小批量采购」产品陈列区摆放展品。
 - 请于进场日（确实日子待定）携同公司名片前往香港会议展览中心博览道入口大堂设置之：
 - i. 「参展商登记进场柜位」办理进场登记手续，并领取参展商工作证
 - ii. 「贸发网小批量采购」产品陈列区领取展柜钥匙。客户可于办理有关手续后，将产品存放于大会提供的保险库或储物室中（须事先向本局申请有关服务），方便翌日展览开始前摆放产品。
 - 客户如没有于上述进场日领取参展商工作证及展柜钥匙，将会视作客户放弃参展权利。本局有权把展柜用作其他用途，并不会作出退款或任何赔偿。
 - 「贸发网小批量采购」产品陈列柜将双重上锁，须同时以两条分别由香港贸发局及客户保存的钥匙开启。奉警方呼吁展柜内展品必须于每天展览时段结束后一小时内撤走，并于翌日展览会开始一小时前摆放妥当。
 - 客户请带备参展商工作证及钥匙，以便进入「贸发网小批量采购」产品陈列区及开启展柜。
 - 客户可使用大会提供的「通宵贮存服务」。惟此服务必须于事先向本局申请，详情本局将另行通告。

b) 取回展品 / 回运安排

- 客户须于指定日期及时间派员带同确认函、公司名片或参展商工作证，到产品陈列区现场取回展品。
- 客户亦可委托本局将展品送回一个指定地点，惟客户必须缴付有关行政费用(以一个展柜/服装展示架计算；如属产品展示层架/展示桌产品，则以每件产品计，产品总重量须为 5 公斤或以下)：
 - 香港地区：**HK\$150**
 - 中国内地：**¥400**
(约 **HK\$620**)
 - 台湾及其他地区：**US\$60**
(约 **HK\$470**)
- 以上行政费并不包括一切清关费用。如需要，收件人必须直接到当地海关缴付。
- 本局对产品于运送途中的安全及保安不作出保证，亦不会为任何失窃、损失或损坏负上任何责任。如有需要，请为您的产品购买保险。
- 客户必须于相关展览会开始前两星期缴付上述行政费用，并于资料申报表中「取回产品指示」部份，提交完整运送地址及收件人联络资料，其回运服务申请方视为作实。
- 请注意，回运服务并不适用于「品牌荟萃廊」特装展台参展商，客户须自行派员到「贸发网小批量采购」产品陈列区现场取回展品。
- 客户如提早撤离展会，将严重干扰正常商贸洽谈，或会令参观买家失望而回。如因交通安排需提早撤走展品，须出示有关机票/车票/船票。与此同时，提早撤走展品仍属违规行为，或会影响贵公司





将来参与此专区的产品展示位置。本局保留拒绝违规客户参与将来「贸发网小批量采购」推广计划之权利。

- 如客户未有于指定日期及时间到现场取回展品，亦没有委托本局将展品送回，则视客户放弃取回展品之权利。本局将自行安排清除有关产品而不作另行通知。
- 鉴于行业特性及保安理由，上述回运服务将不适用于「香港国际珠宝展 2018」的客户。客户必须带同参展商工作证及展柜钥匙于指定日期及时间到产品陈列区现场取回展品。如客户未有于指定日期及时间到现场取回展品，则视客户放弃取回展品之权利。本局将安排清除有关产品而不作另行通知。
- 特别安排：展品储存及布置服务（只适用于同时参与 2017 年 10 月举行的「香港秋季电子产品展」及「香港国际秋季灯饰展」的客户）
 - 本局可提供产品储存及再布置服务。惟客户须于「香港秋季电子产品展」完结当天亲自或派员到「贸发网小批量采购」产品陈列区，妥善收拾展柜内的产品并放入本局提供的纸箱内。本局将代客户储存该等产品，并于「香港国际秋季灯饰展」进馆当天为客户重新布置产品。有关的服务费为 HK\$500 / ¥500 / US\$65 (以一个展柜为单位)，此项服务必须有四位或以上客户参与，本局才会提供。
 - 如欲使用此服务，请于「贸发网小批量采购」推广计划资料申报表中的第四项-取回产品指示中清楚标示，并于「香港秋季电子产品展 2017」开始两星期前缴付上述服务费。

2. 买家查询及网上交易

- 本局将为在「贸发网小批量采购」陈列产品的客户提供一个专属的二维码 (QR Code)，并展示于陈列柜当眼位置方便买家当场扫描及下载您的公司及产品资料。在每日展览会结束后，本局会将曾下载过贵公司资料的买家名单及联络资料电邮给您，助您与这些买家尽快跟进洽商。
- 「贸发网小批量采购」(<http://smallorders.hktdc.com>) 的网上交易功能现已开通，买家现可随时随地透过 PayPal 账户或信用卡付款购买产品。本局将会继续在展览会会场大力推广网上交易服务，并重点推介可供即时网上交易的产品。如有需要，本局将从客户的展柜/服装展示架中抽取有关产品作推介，鼓励展会买家当场向在「贸发网小批量采购」陈列产品的供应商购买产品。客户如有意参与此增值推介服务，请于资料申报表第二部份「产品资料」项表明意向。
- 要抓紧现场推广及网上交易为您带来的商机，您必须于展览会前开设 PayPal 账户以收取网上交易的款项，并把即将在展览会陈列的产品规格、相片、最低订购数量、美元价格、运费及发货时间等资料上载到「贸发网」。
- 每当买家在网上确认购买贵公司的产品，您将透过电邮及「贸发网」管理系统收到通知，而有关货款及运费将即时存入您的 PayPal 账户。您可随即根据买家在订单所选择的方式，尽快将货品运送到指定的地址。
- 所有参与「贸发网小批量采购」推广计划的供应商均可免费享用「贸发网小批量采购」网上交易服务，而 PayPal 更将为开设香港商业账户的「贸发网」供应商提供每宗海外交易低至 2.9%+US\$0.3 手续费优惠。如欲参与网上交易服务以及开设 PayPal 香港商业账户，请于申报表中表明意向，以便本局作相应安排并将贵公司资料转交 PayPal 跟进开户事宜。
- 详情请浏览 <http://smallorders.hktdc.com/supplier> 或电邮至 gc.supplier.so@hktdc.org。





3. 保护知识产权措施

- 贸发局对于推动原创设计以及保护知识产权不遗余力，故请「贸发网小批量采购」陈列产品的客户必须遵守《香港贸易发展局展览会保护知识产权措施 - 参展商须知》内的所有条文，并按以下连结浏览不同展览会相关条文：

- [香港国际春季灯饰展](#)
- [香港春季电子产品展](#)
- [香港家庭用品展](#)
- [香港礼品及赠品展](#)
- [香港时装周春夏系列](#)
- [香港钟表展](#)
- [香港秋季电子产品展](#)
- [香港国际秋季灯饰展](#)
- [香港玩具展](#)
- [香港时装周秋冬系列](#)
- [香港国际珠宝展](#)

4. 产品安全保障

- 本局将尽一切可能于可行范围内小心处理客户的产品。惟本局对产品于运送途中（包括但不限于客户及本局、本局及服务承办商之间的往返运送）及/或于展览会现场展示期间的安全及保安不作出保证，亦不会为任何失窃、损失或损坏负上任何责任。
- 香港贸发局对涉及参展商/广告商/参观者、其个人物品及展品的任何风险，概不负财务或法律责任。参展商/广告商应为其展品、摊位装置、会场及其他第三者投保。
- 所有参展商/广告商带进展览场地任何部分（包括但不限于摊位、展览摊位及展览净地）的财物和物品（包括但不限于所有宣传品）均由参展商/广告商自行负上责任。香港贸发局对该等财物或物品的安全及保安不作出保证，亦无须为任何失窃、损失或损坏负上任何责任。为免生疑问，香港贸发局于展览场地任何部分（包括但不限于摊位、展览摊位及展览净地）所提供的陈列柜、贮存柜及其它贮物设施只作展览用途。参展商/广告商于任何时间均对存放于该等陈列柜、贮存柜及贮物设施的所有财物或物品的安全及保安拥有全部责任。
- 如有需要，请为您的产品购买保险。
- 保安措施特别安排（只适用于「香港国际珠宝展 2018」的客户）：
 - 专区将安排保安人员，由进场当天下午开始 24 小时驻守至展览会完结；并设闭路电视于展览开放时间内作监察录影。
 - 客户必须配戴参展商工作证以进入「贸发网小批量采购」产品陈列区，而所有买家则须配戴买家入场证。未有配戴证件之人士将不获进入专区。

备注

- 「贸发网小批量采购」推广计划乃香港贸发局推出之特别宣传服务，香港贸发局保留随时更改有关服务之权利，而不作另行通知。
- 所有相片只供参考。

