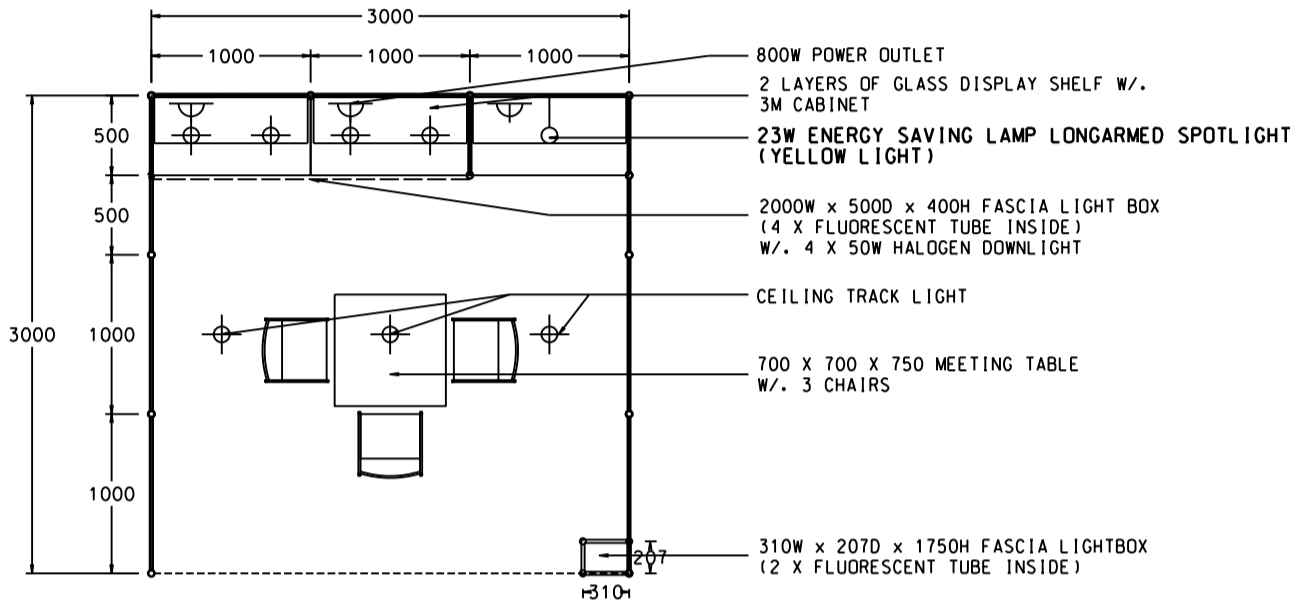


Hong Kong International Lighting Fair (Autumn Edition)

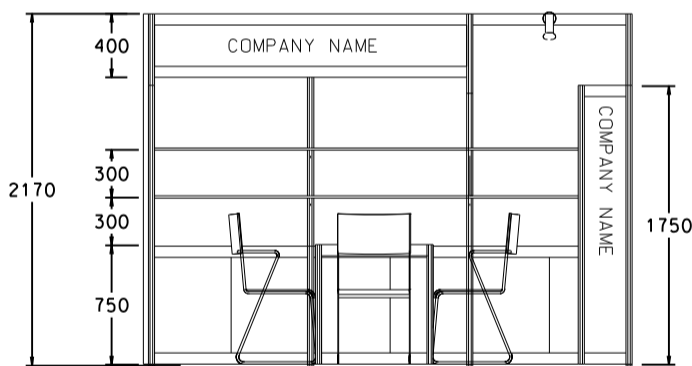
香港國際秋季燈飾展

9 sq.m. Standard Booth J (For Expo Drive Hall Only)

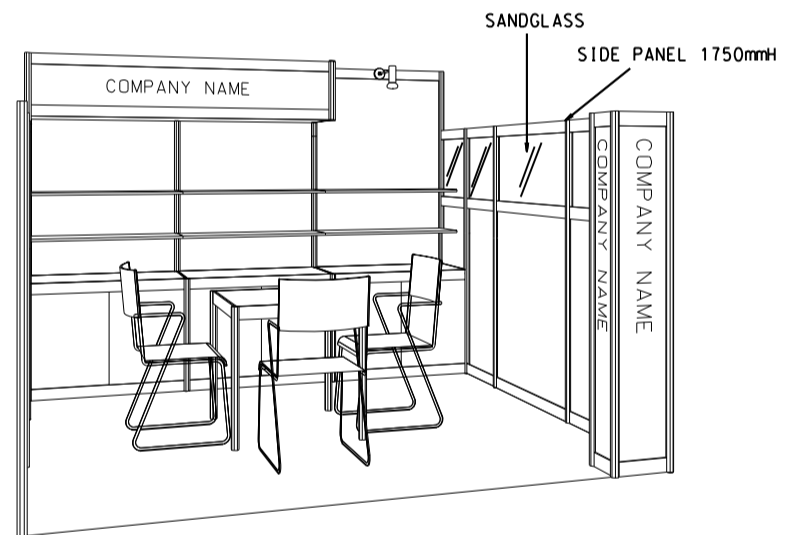
九平方米標準攤位 J (只適用於博覽道展覽廳)



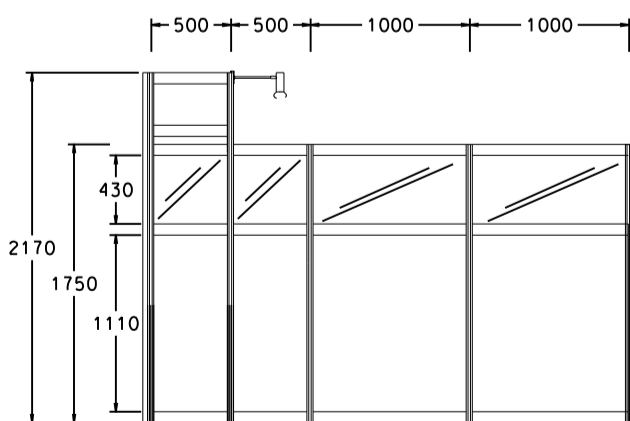
PLAN



ELEVATION



PERSPECTIVE



LEFT SIDE VIEW

BOOTH SPECIFICATIONS		QTY.
	1000W x 500D x 750H CABINET	3
	1000W x 300D GLASS DISPLAY SHELF	6
	2000W x 500D x 400H FASCIA LIGHT BOX (4 X FLUORESCENT TUBE INSIDE) W/. 4 X 50W HALOGEN DOWNLIGHT	1
	310W x 207D x 1750H FASCIA LIGHTBOX (2 X FLUORESCENT TUBE INSIDE)	1
	CEILING TRACK LIGHT	3
	23W ENERGY SAVING LAMP LONGARMED SPOTLIGHT (YELLOW LIGHT) 23瓦特省電燈膽長臂射燈 (黃光)	1
	700W x 700D x 750H MEETING TABLE	1
	BLACK LEATHER CHAIR	3
	800W POWER OUTLET	3
	RUBBISH BIN & CARPET (9sqm.)	