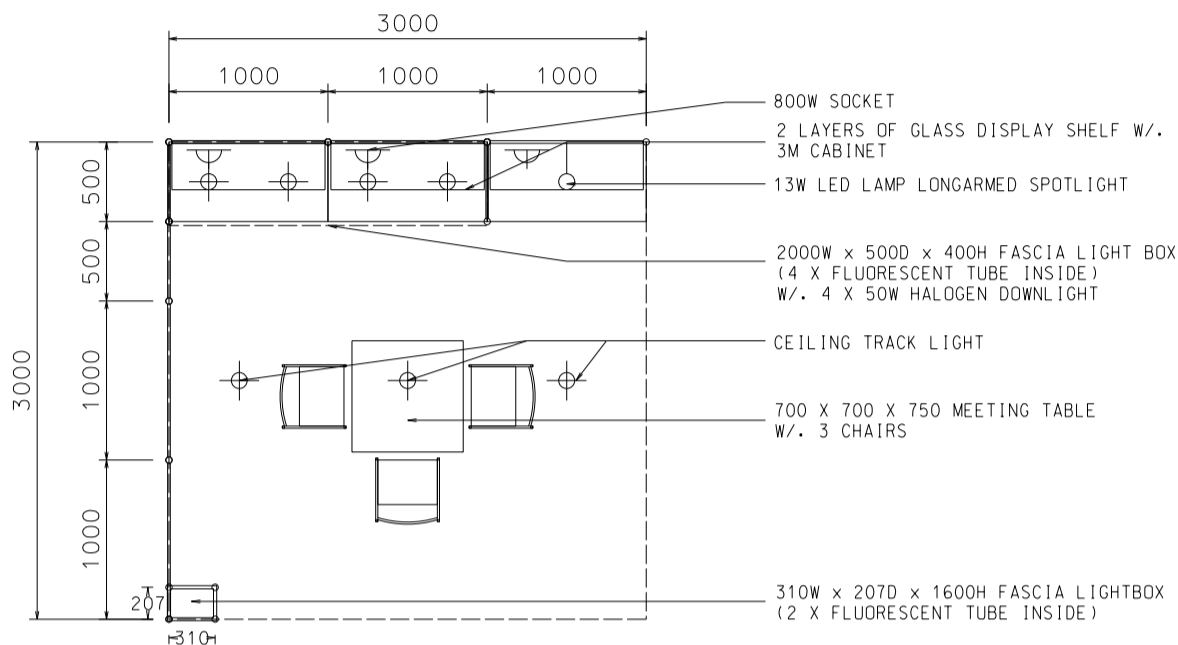
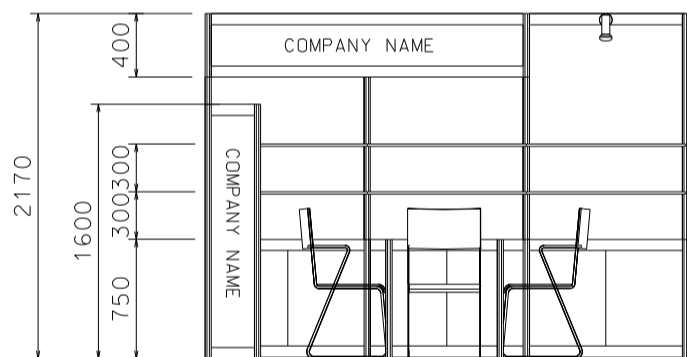


### 9 sqm. Right Corner Booth (For Expo Drive Hall Only)

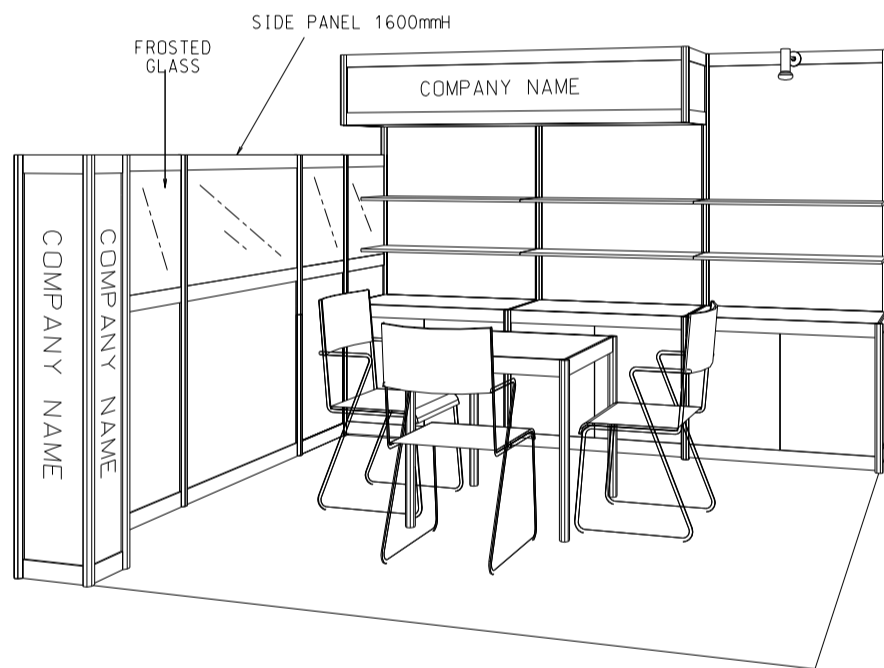
九平方米右邊角位攤位 (只適用於博覽道展覽廳)



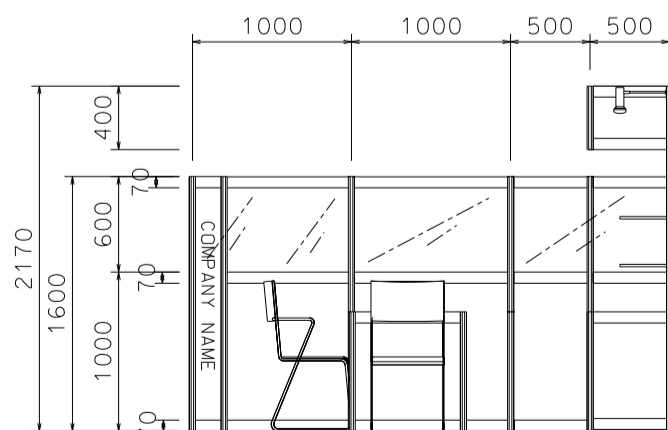
PLAN



ELEVATION



PERSPECTIVE



RIGHT SIDE VIEW

BOOTH SPECIFICATIONS		QTY.
	1000W x 500D x 750H LOCKABLE CABINET	3
	1000W x 300D GLASS DISPLAY SHELF	6
	2000W x 500D x 400H FASCIA LIGHT BOX (4 X FLUORESCENT TUBE INSIDE) W/. 4X 50W HALOGEN DOWNLIGHT	1
	310W x 207D x 1600H FASCIA LIGHTBOX (2 X FLUORESCENT TUBE INSIDE)	1
	CEILING TRACK LIGHT	3
	13W LED LAMP LONGARMED SPOTLIGHT (YELLOW LIGHT)	1
	700W x 700D x 750H MEETING TABLE	1
	BLACK LEATHER CHAIR	3
	800W SOCKET	3
RUBBISH BIN & CARPET (9sqm.)		

\*The Hong Kong Trade Development Council reserves the right to change the configuration if necessary.

\*如有需要，香港貿易發展局有權更改攤位結構。