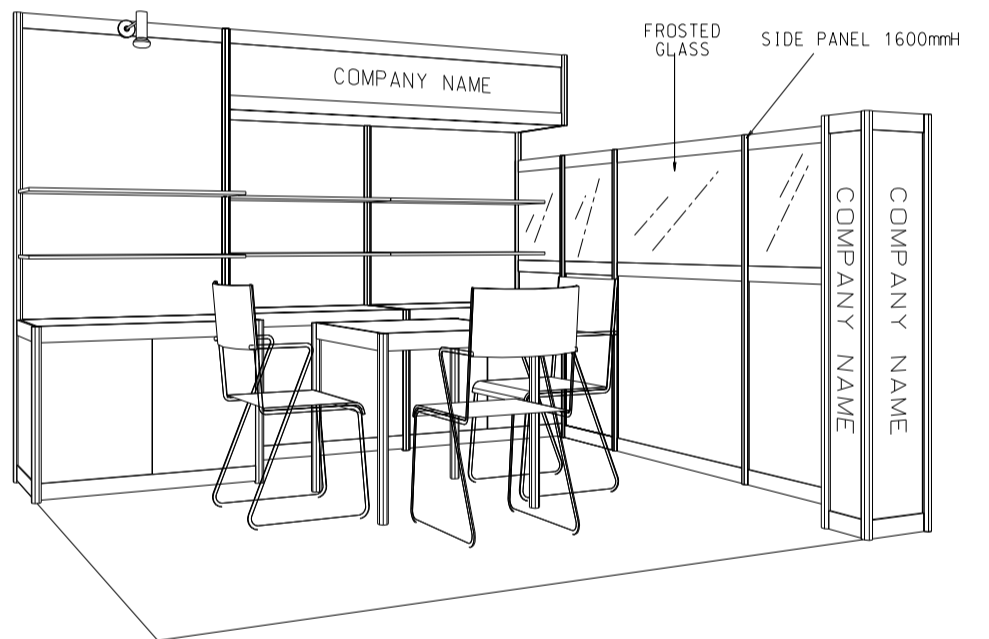
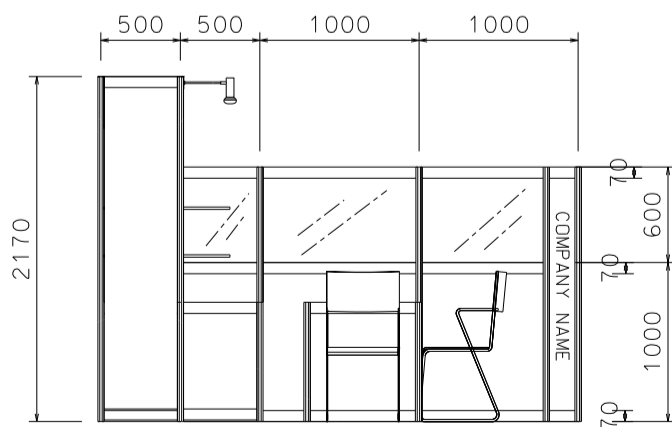
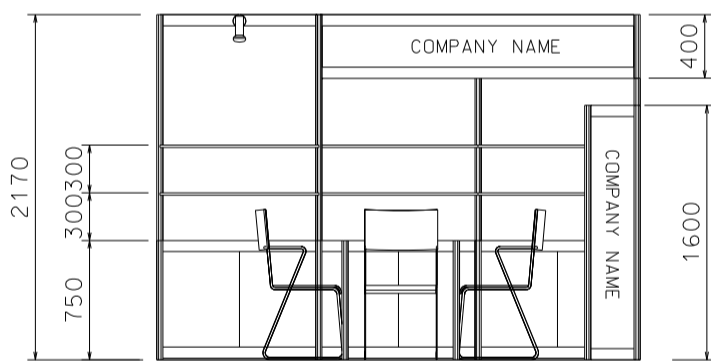
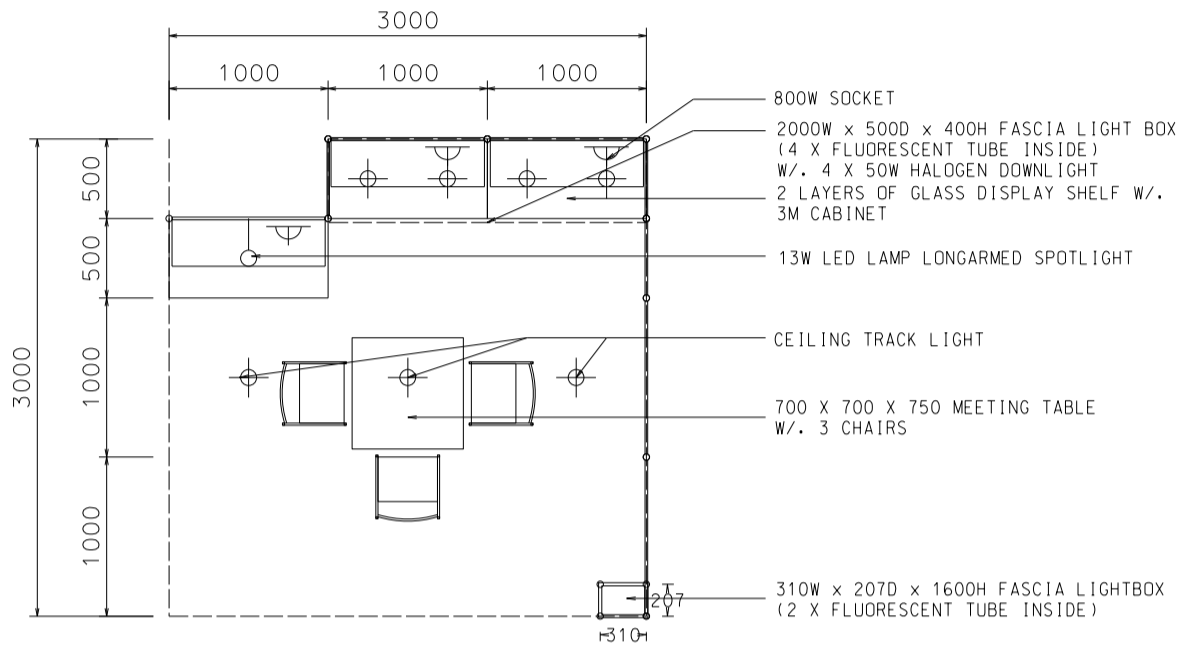


8.5 sqm. Left Corner Booth (Option 2) (For Expo Drive Hall Only)

八點五平方米左邊角位攤位 (只適用於博覽道展覽廳)



| BOOTH SPECIFICATIONS | | QTY. |
|--------------------------------|---|------|
| | 1000W x 500D x 750H LOCKABLE CABINET | 3 |
| | 1000W x 300D GLASS DISPLAY SHELF | 6 |
| | 2000W x 500D x 400H FASCIA LIGHT BOX (4 X FLUORESCENT TUBE INSIDE) W/. 4X 50W HALOGEN DOWNLIGHT | 1 |
| | 310W x 207D x 1600H FASCIA LIGHTBOX (2 X FLUORESCENT TUBE INSIDE) | 1 |
| | CEILING TRACK LIGHT | 3 |
| | 13W LED LAMP LONGARMED SPOTLIGHT (YELLOW LIGHT) | 1 |
| | 700W x 700D x 750H MEETING TABLE | 1 |
| | BLACK LEATHER CHAIR | 3 |
| | 800W SOCKET | 3 |
| RUBBISH BIN & CARPET (8.5sqm.) | | |

*The Hong Kong Trade Development Council reserves the right to change the configuration if necessary.

*如有需要，香港貿易發展局有權更改攤位結構。