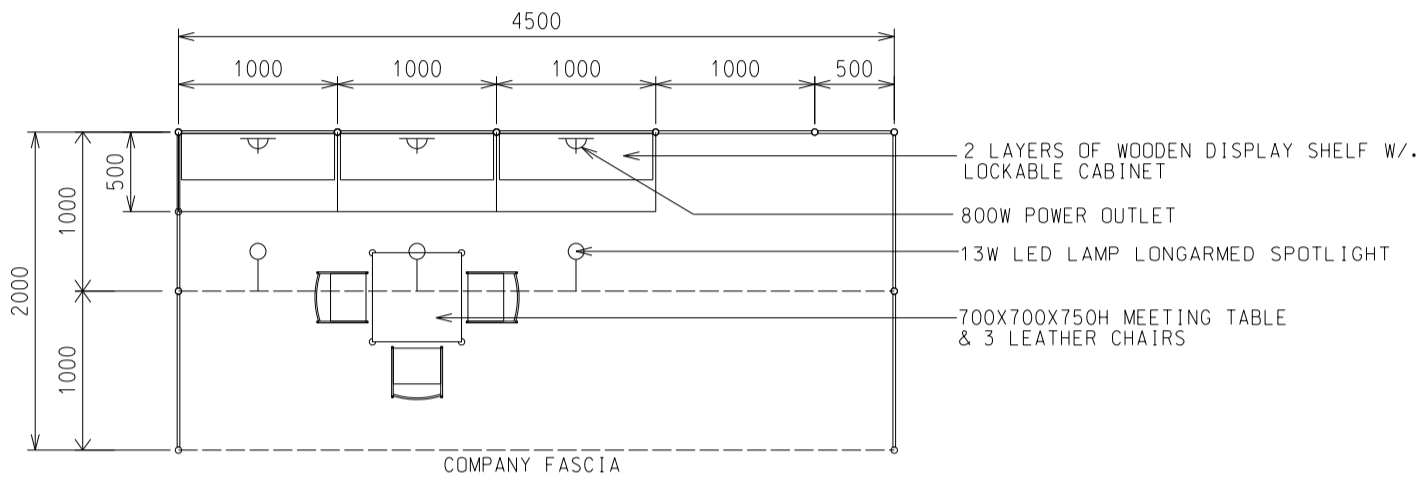
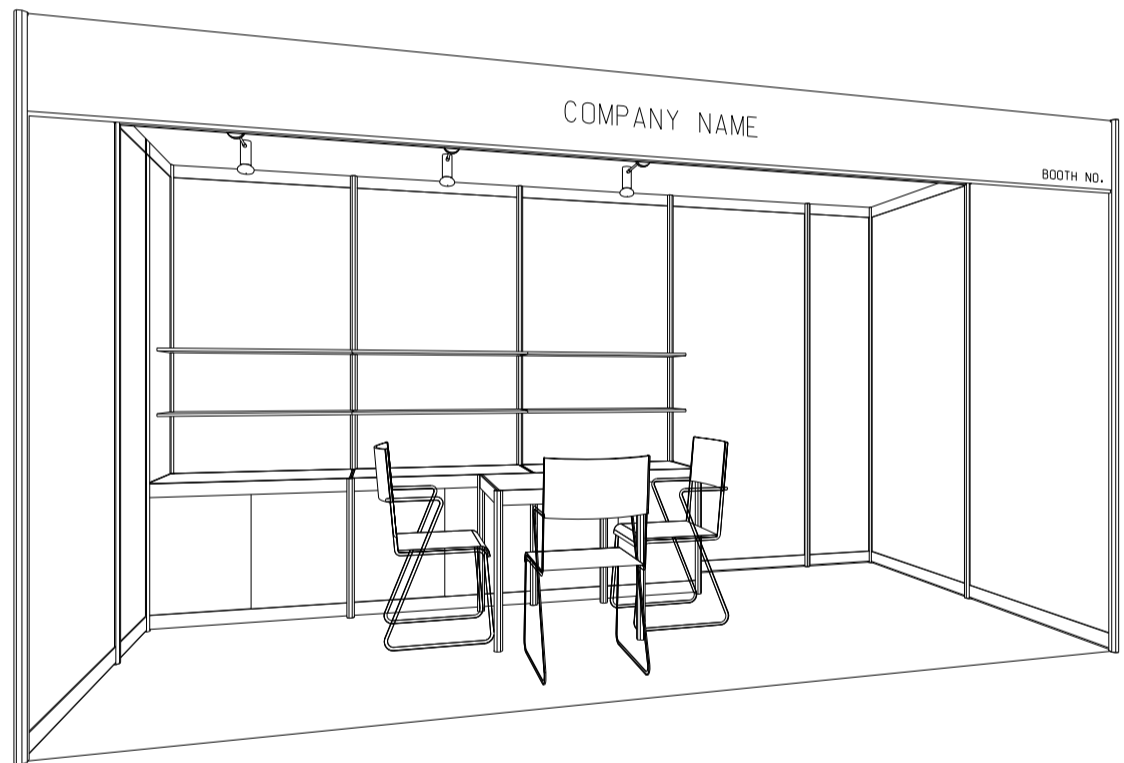


4.5M x 2M Standard Booth (Option A)

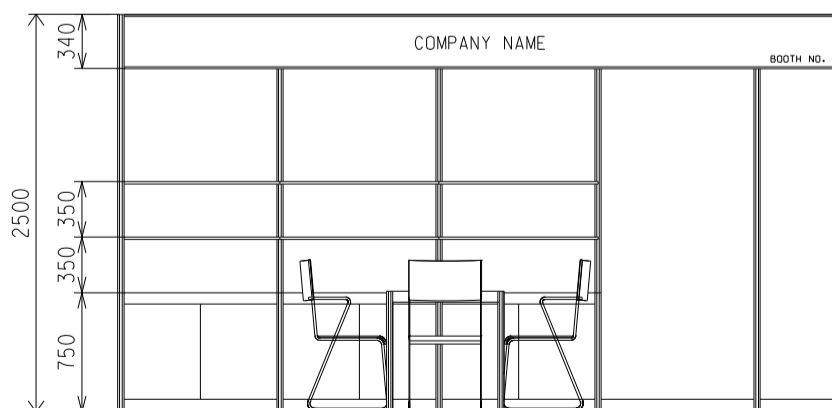
四點五米乘二米標準攤位 (建議 A)



PLAN
4.5M(W) X 2M(D) X 2.5M(H)
STANDARD BOOTH A



PERSPECTIVE
4.5M(W) X 2M(D) X 2.5M(H)
STANDARD BOOTH A



ELEVATION
4.5M(W) X 2M(D) X 2.5M(H)
STANDARD BOOTH A

BOOTH SPECIFICATIONS		QTY.
	1000W x 500D x 750H LOCKABLE CABINET	3
	3000W x 300D WOODEN DISPLAY SHELF	2
	700W x 700D x 750H MEETING TABLE	1
	BLACK LEATHER CHAIR	3
	13W LED LAMP LONGARMED SPOTLIGHT (YELLOW LIGHT)	3
	800W SOCKET	3
	H70mm CEILING BEAM	4.5M
	RUBBISH BIN & CARPET (9sqm.)	